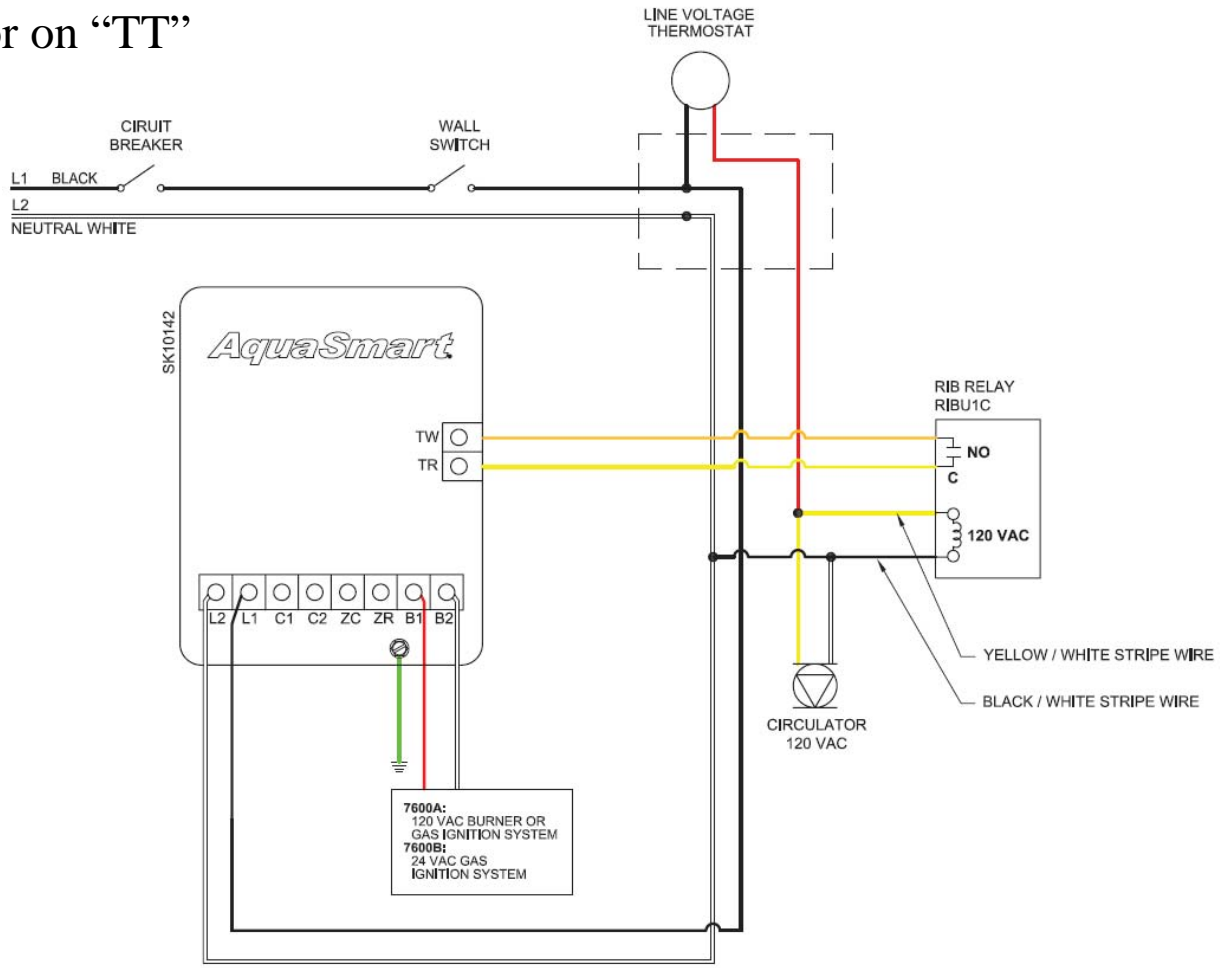


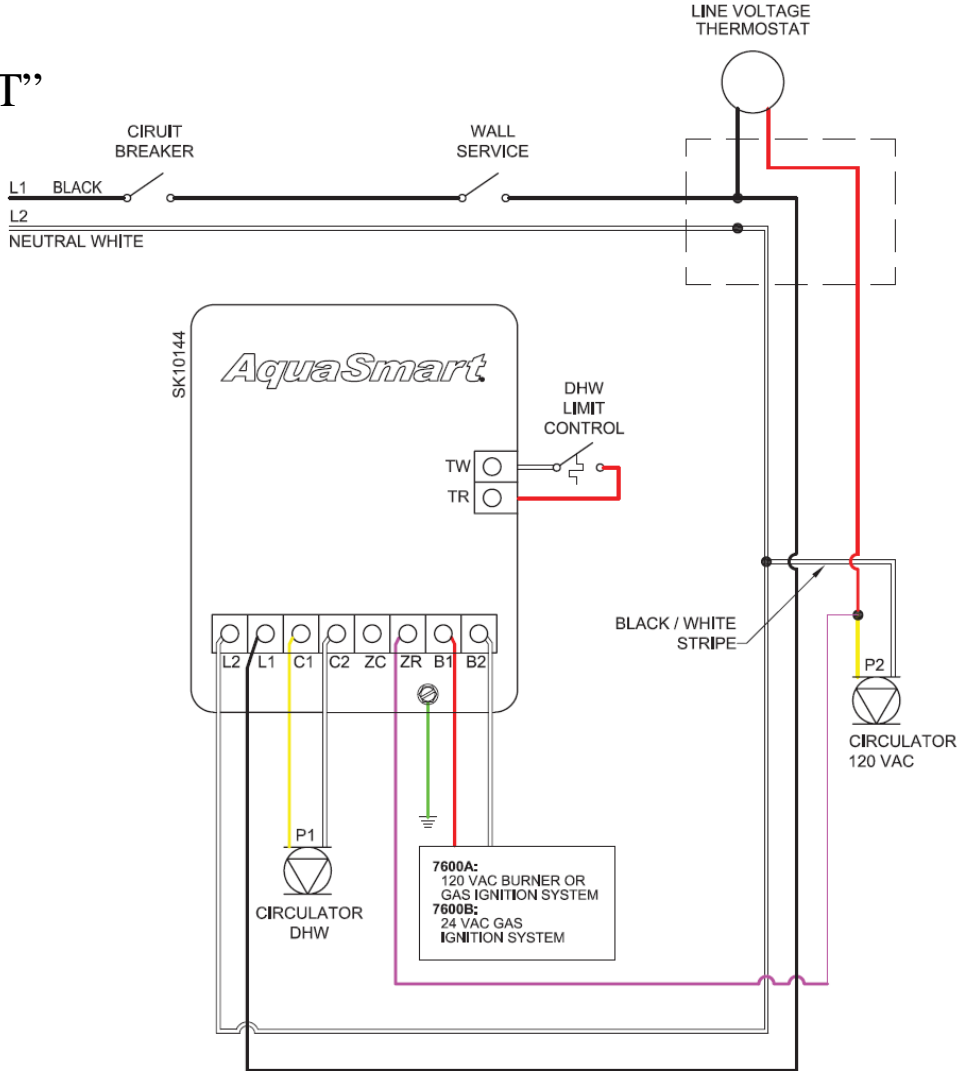
**THIS QUICK TUTORIAL
WILL GUIDE YOU
THROUGH THE STEPS
ON WIRING THE 7600
AQUASMART CONTROL
WITH LINE VOLTAGE
THERMOSTATS**

- 1. Set DHWP to OFF
- 2. Set Circulator on “TT”



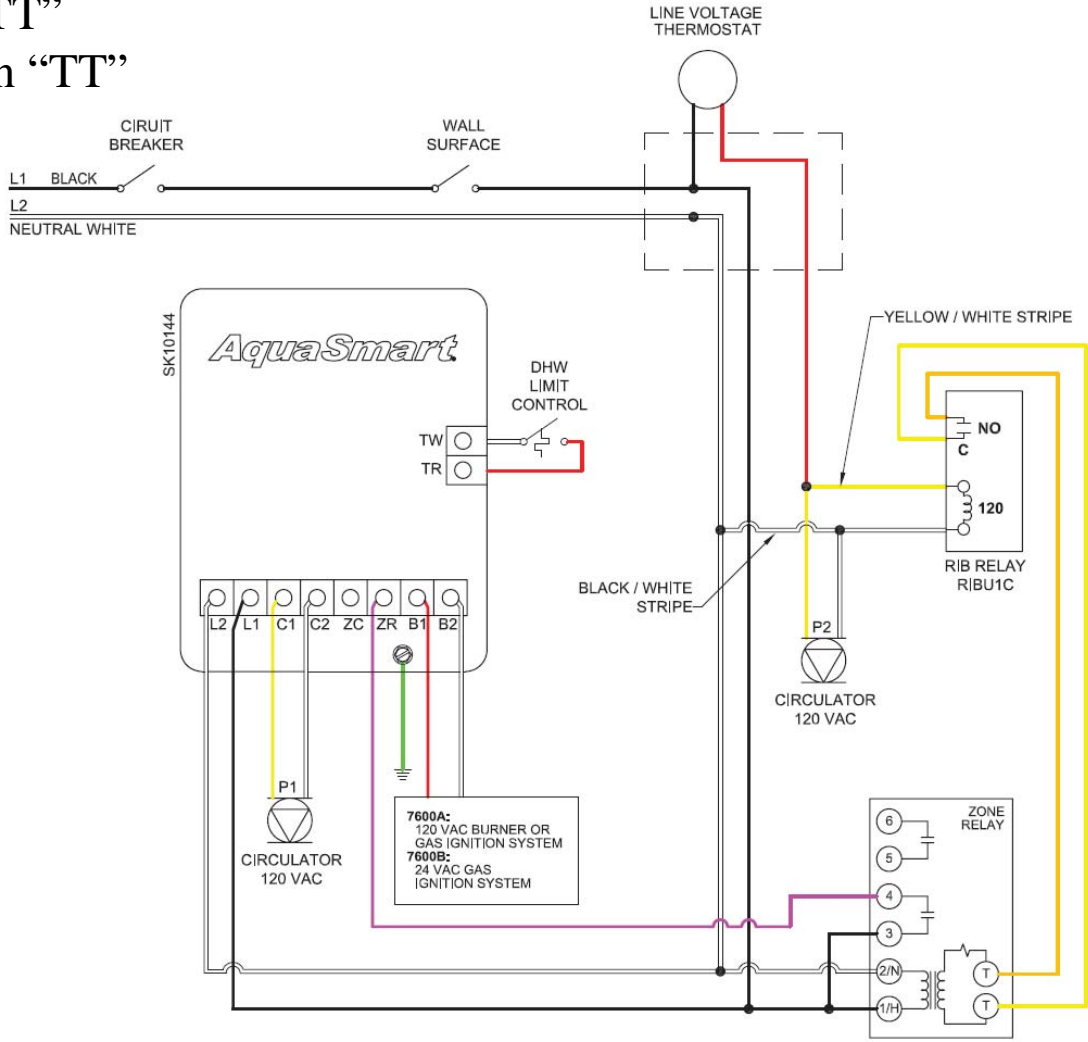
AquaSmart A or B with line voltage thermostat (with or without tankless H/W coil)

- 1. Set DHWP to “TT”
- 2. Set Circulator on “TT”



AquaSmart A or B with line voltage thermostat & indirect H/W circulator

- 1. Set DHWP to “TT”
- 2. Set Circulator on “TT”



AquaSmart A or B with line voltage thermostat & Indirect H/W using Rib & Zone Relays