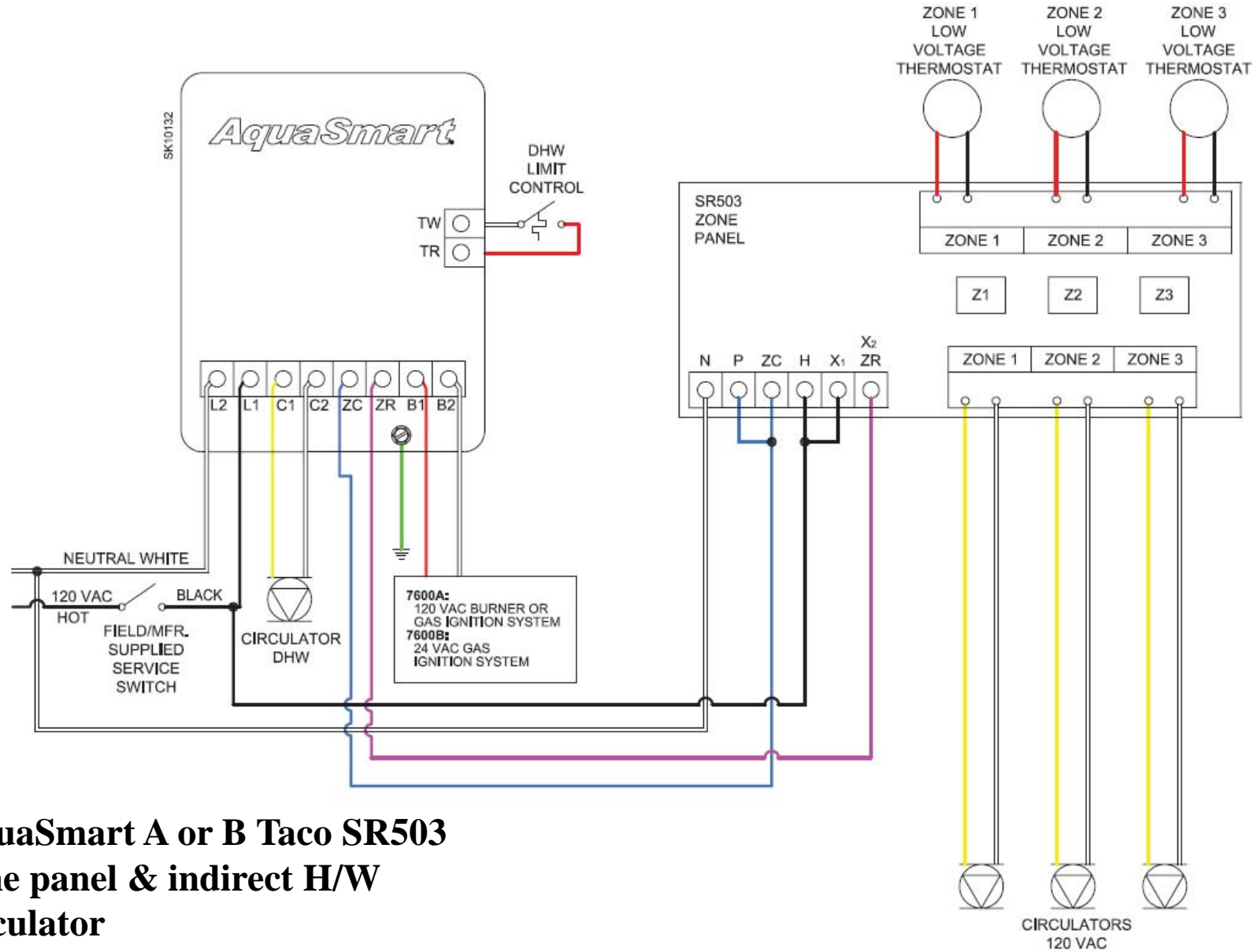
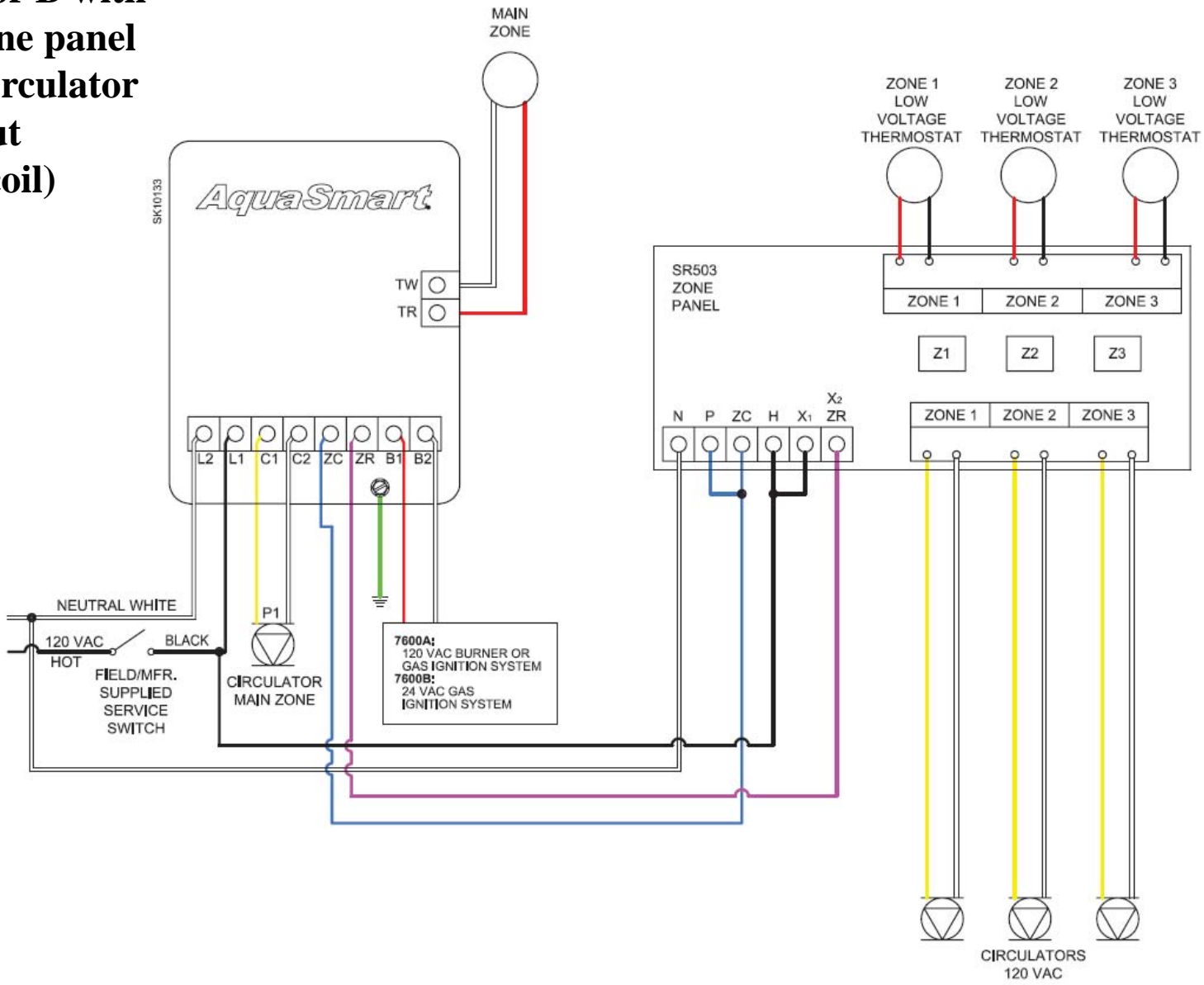


**THIS QUICK TUTORIAL  
WILL GUIDE YOU  
THROUGH THE STEPS  
ON WIRING THE  
AQUASMART WITH  
TACO ZONE PANELS**

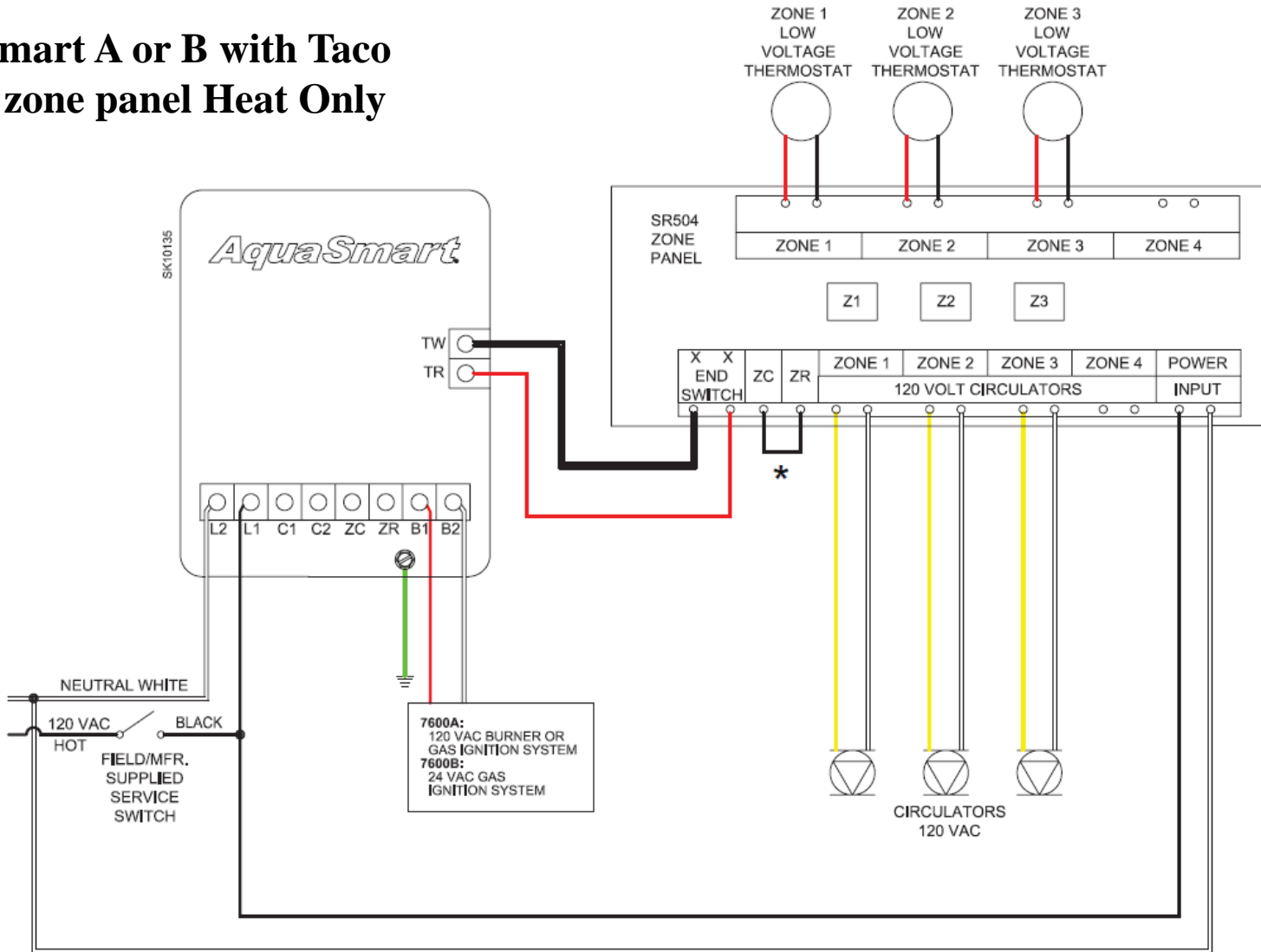


**AquaSmart A or B Taco SR503  
zone panel & indirect H/W  
circulator**

**AquaSmart A or B with  
Taco SR503 zone panel  
& main zone circulator  
(with or without  
tankless H/W coil)**

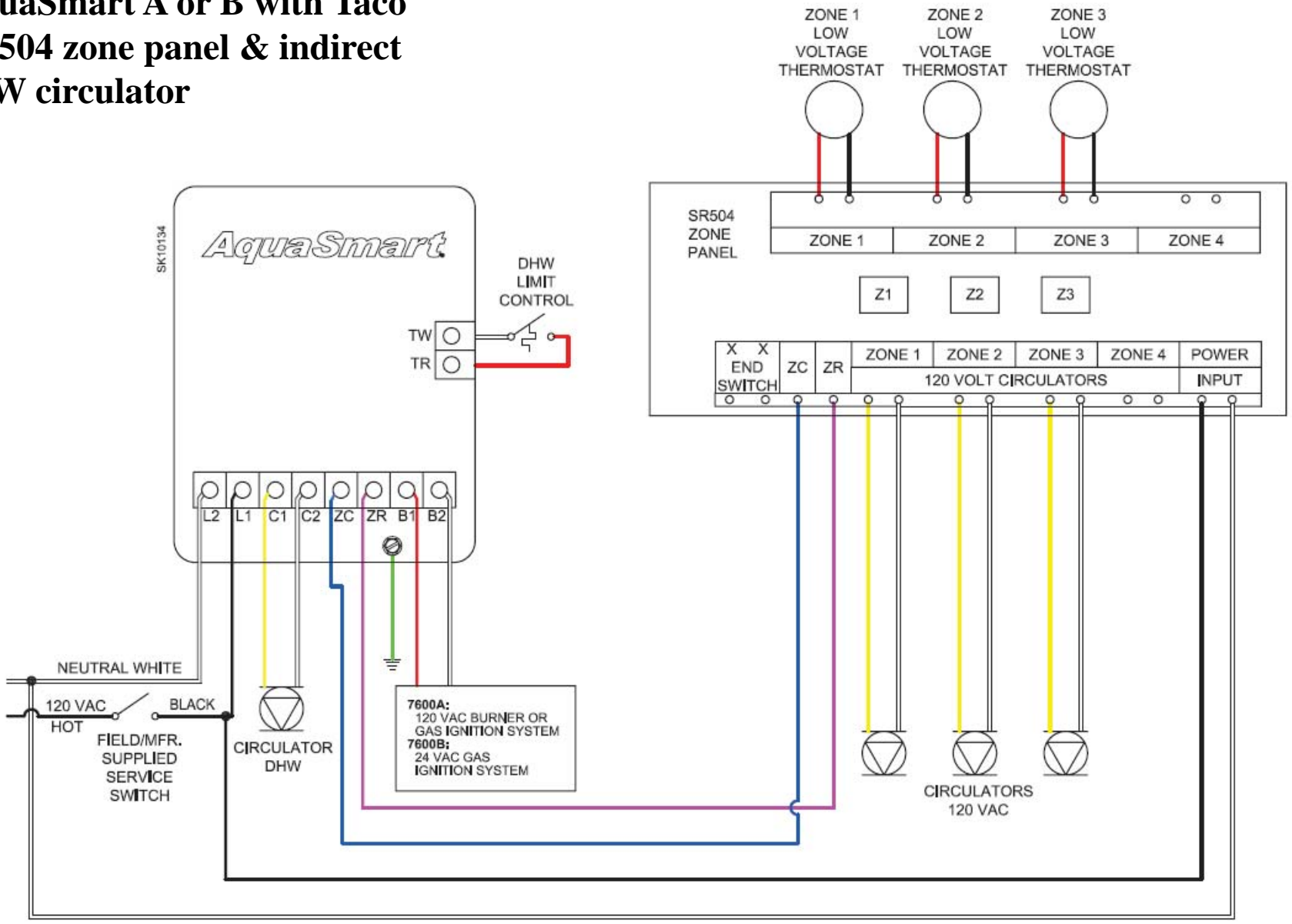


# AquaSmart A or B with Taco SR504 zone panel Heat Only

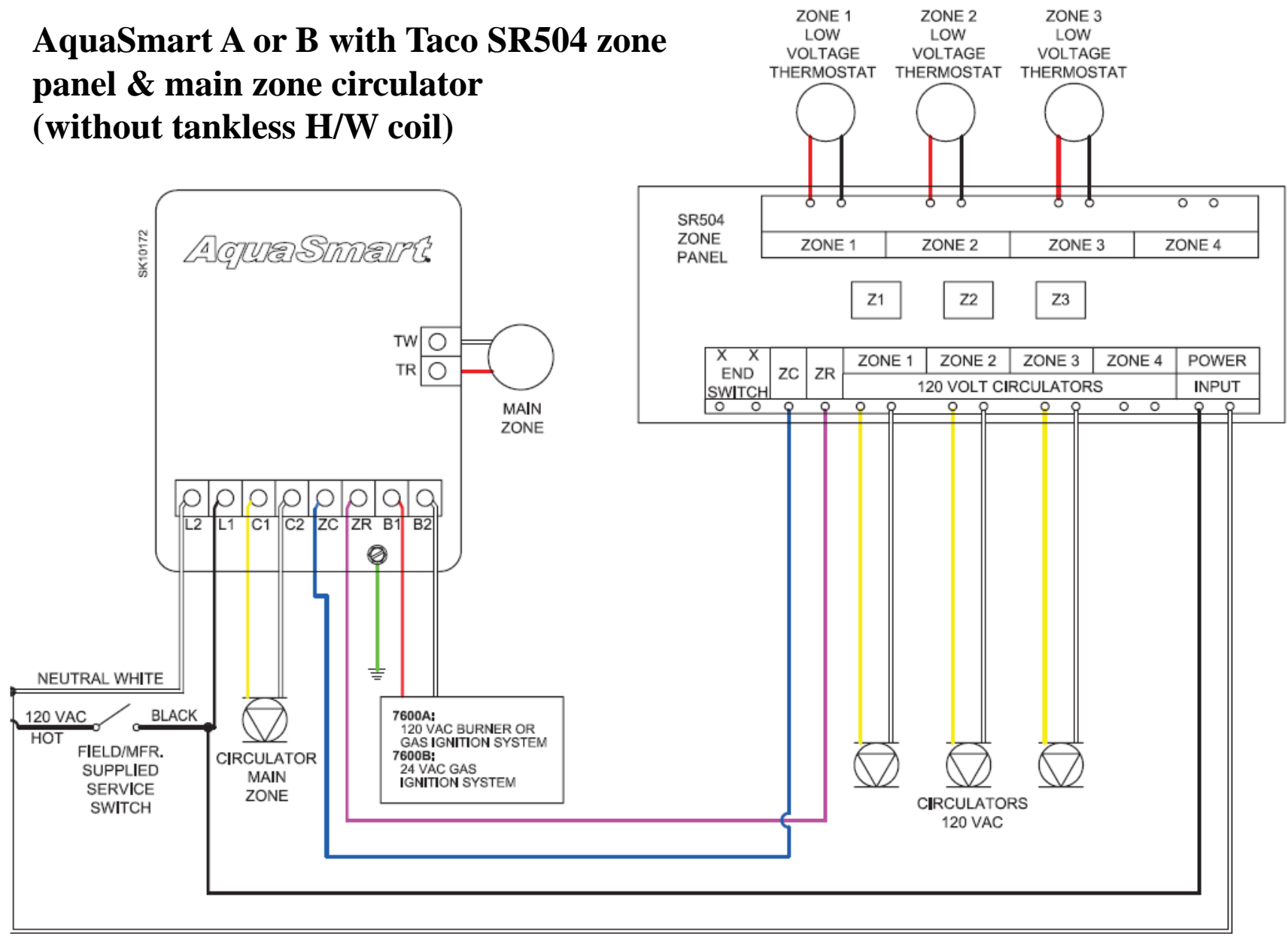


\* Jumper factory installed by Taco

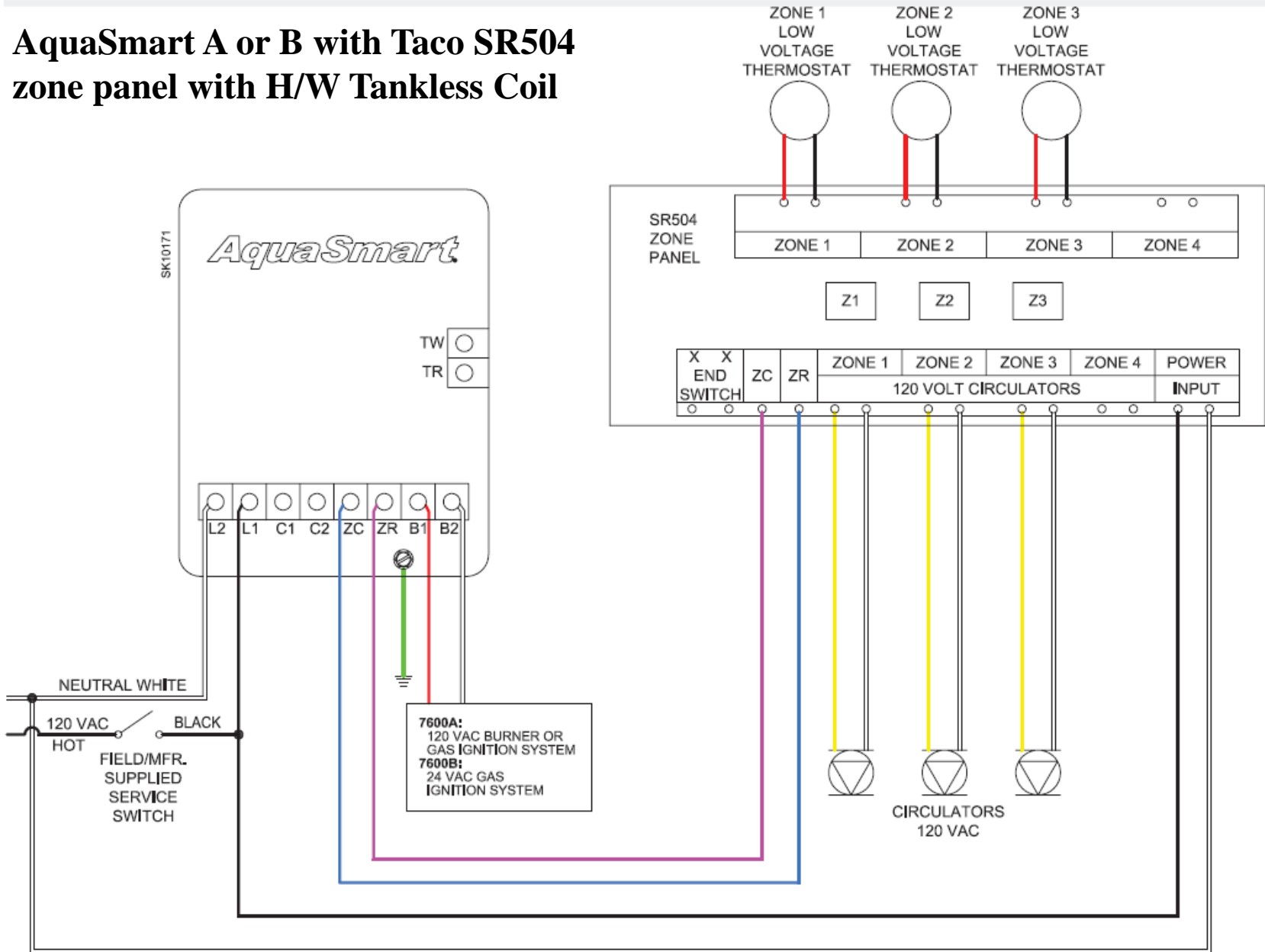
**AquaSmart A or B with Taco  
SR504 zone panel & indirect  
H/W circulator**



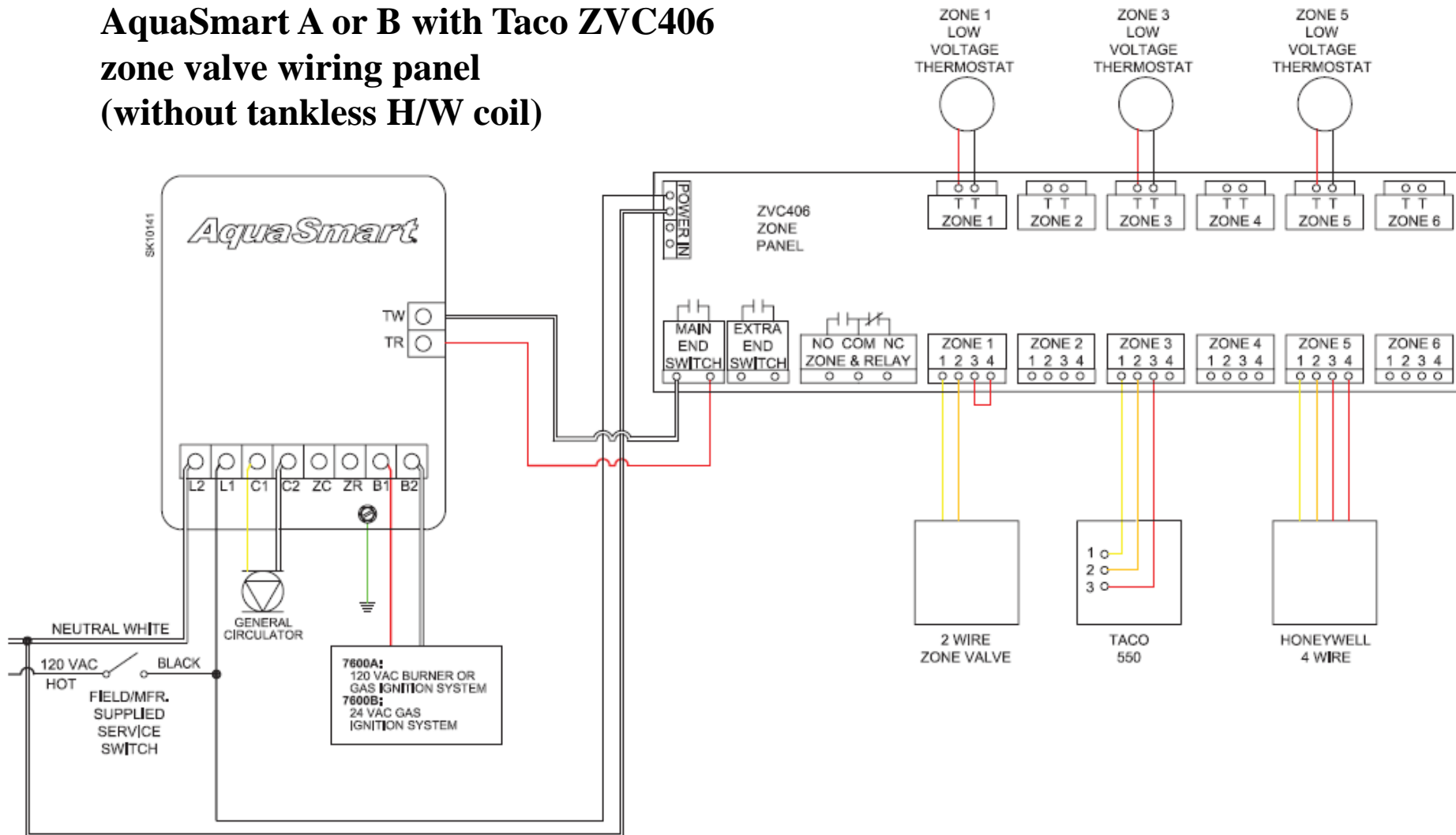
**AquaSmart A or B with Taco SR504 zone panel & main zone circulator (without tankless H/W coil)**



# AquaSmart A or B with Taco SR504 zone panel with H/W Tankless Coil



# AquaSmart A or B with Taco ZVC406 zone valve wiring panel (without tankless H/W coil)





# AquaSmart A or B with Taco ZVC406 zone valve wiring panel & indirect H/W circulator

