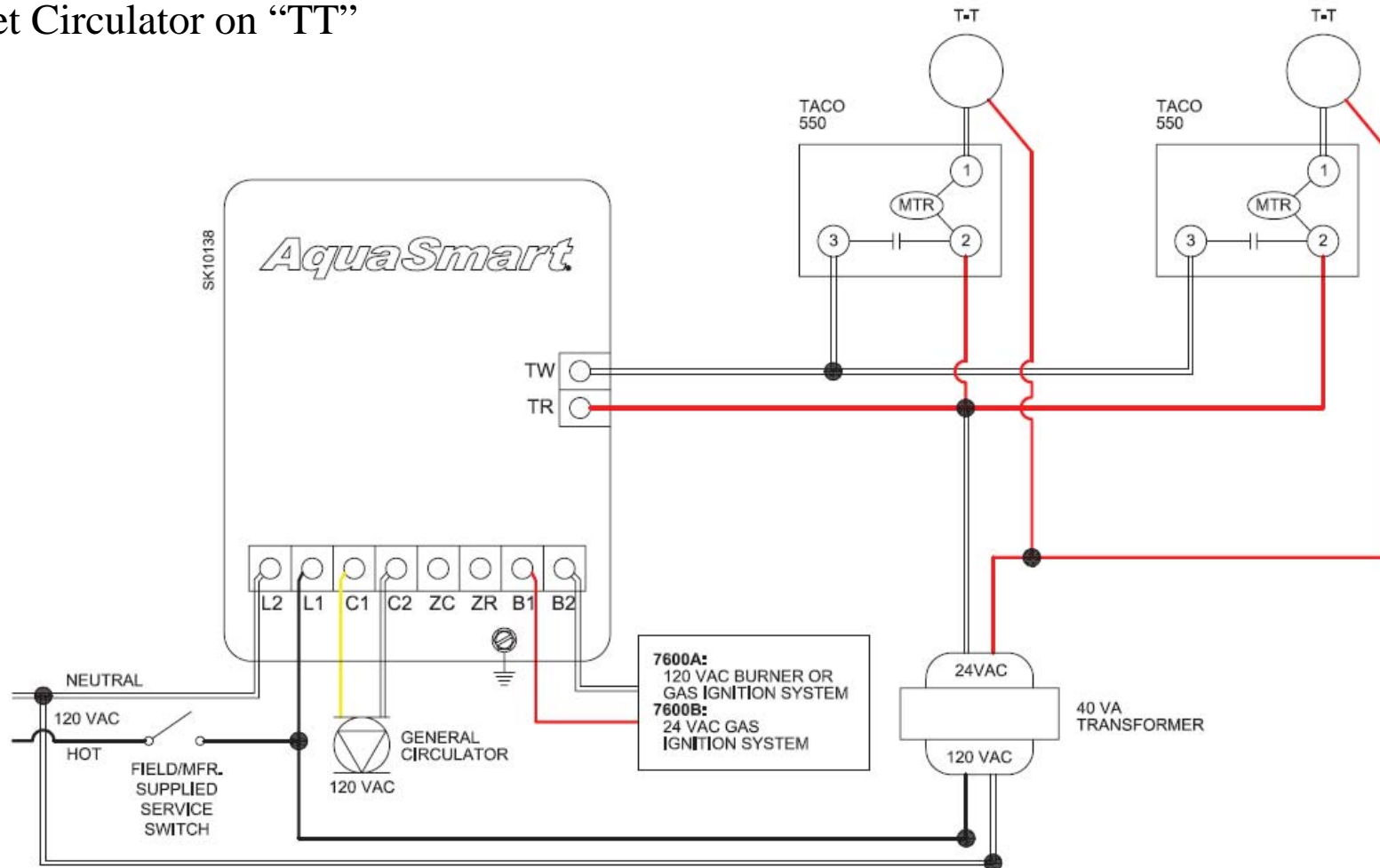


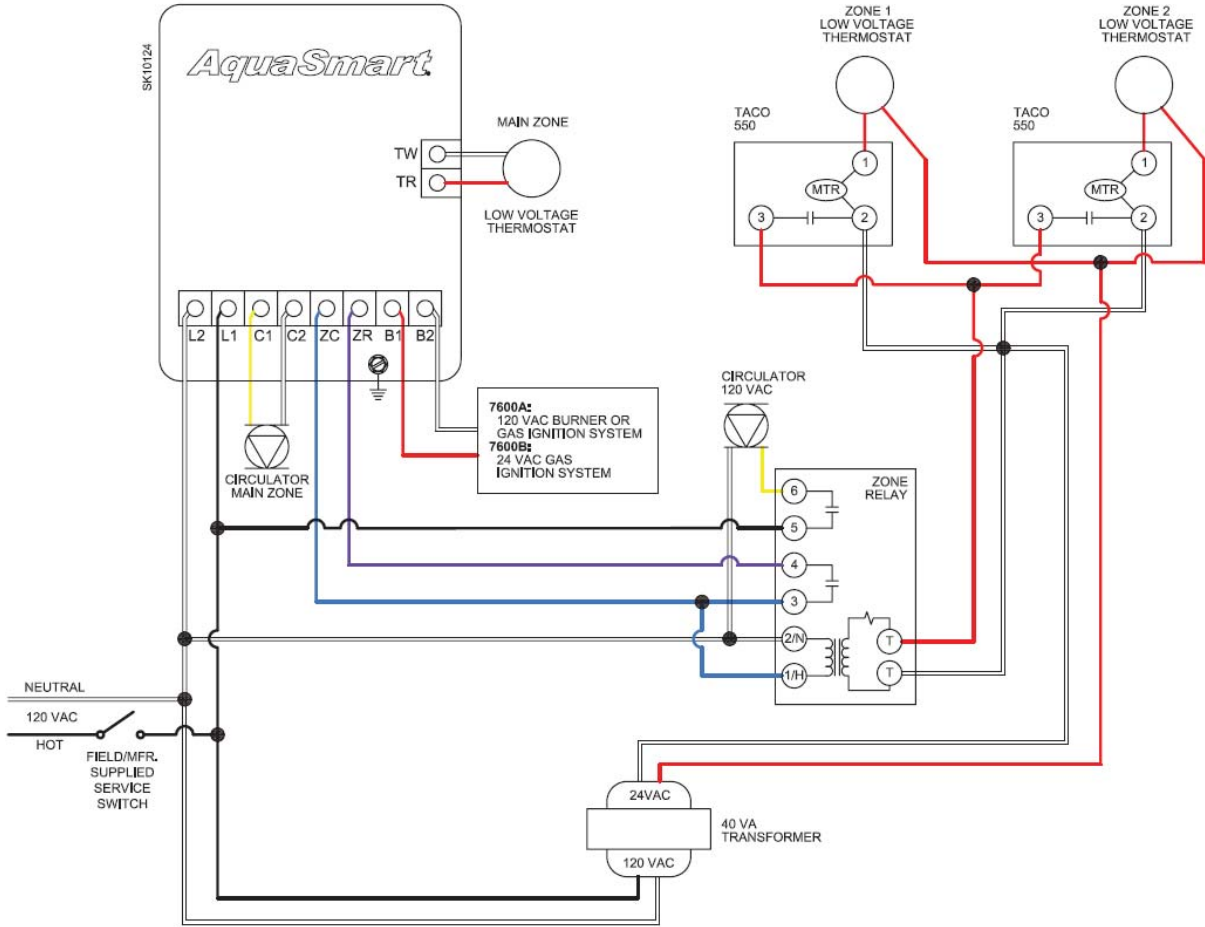
**THIS QUICK TUTORIAL
WILL GUIDE YOU
THROUGH THE STEPS
ON WIRING THE 7600
AQUASMART WITH
TACO ZONE
VALVES**

1. Set DHWP to OFF
2. Set Circulator on "TT"



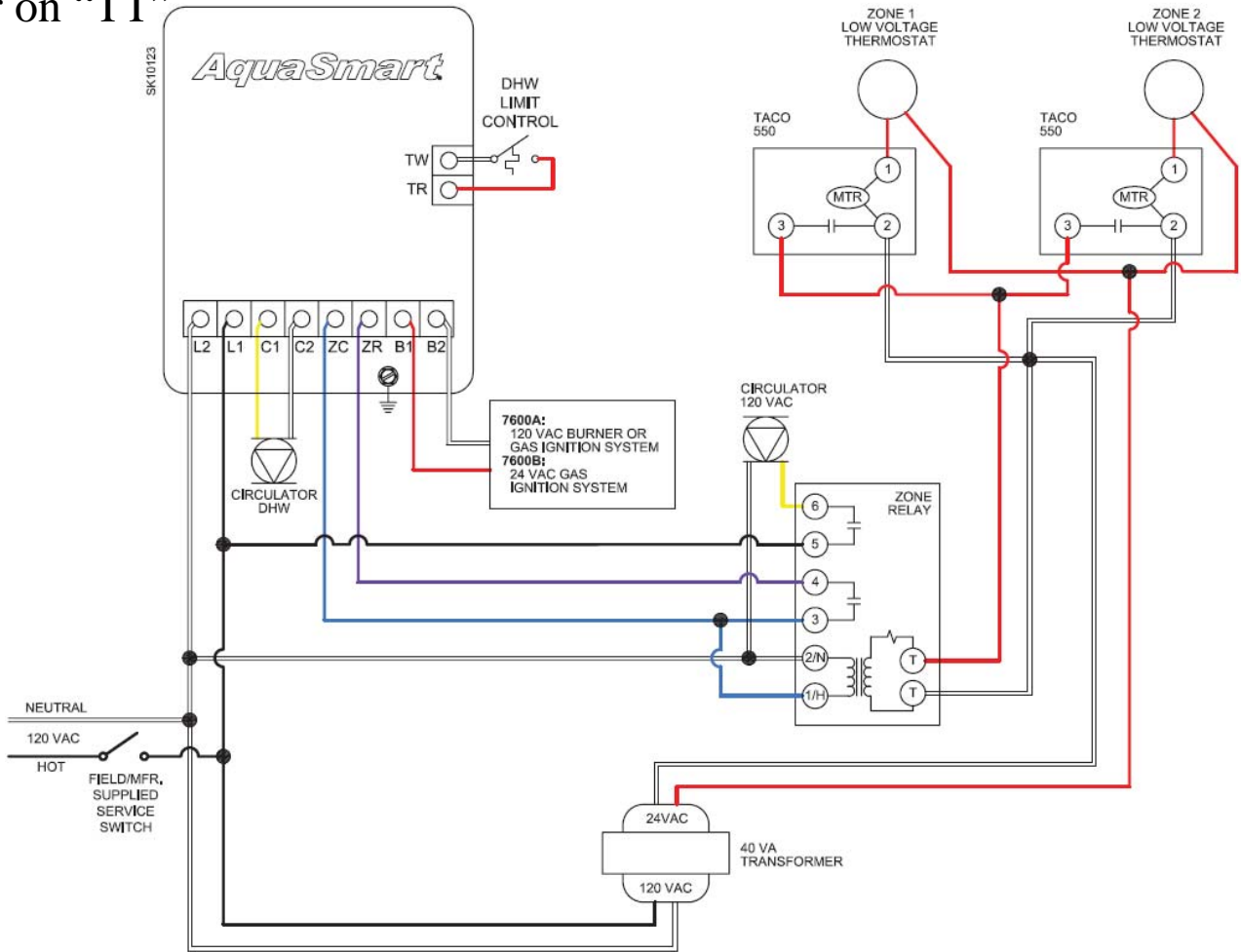
AquaSmart A or B with Taco 550 zone valves (with or without tankless H/W coil)

- 1. Set DHWP to OFF
- 2. Set Circulator on “TT”



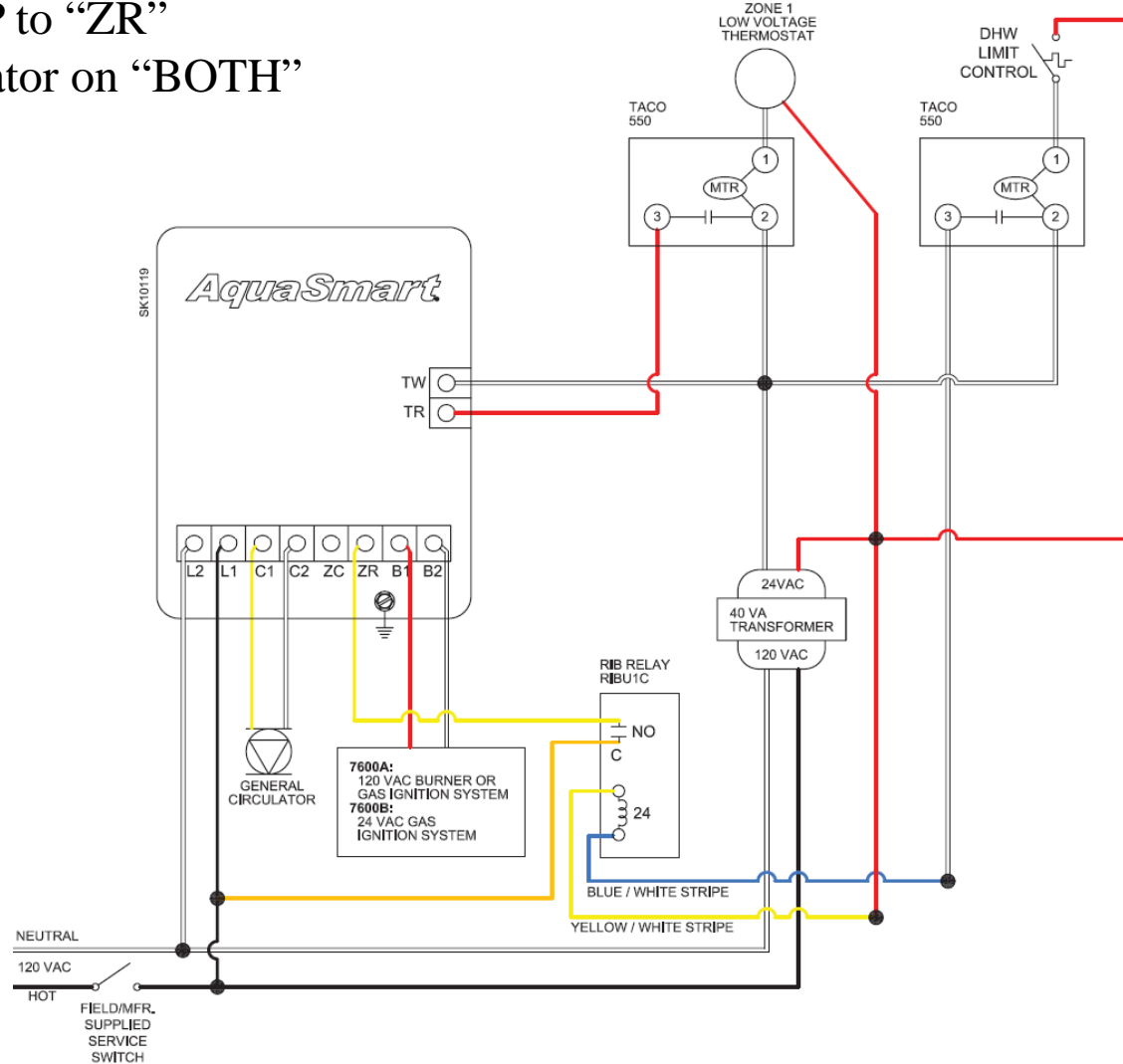
AquaSmart A or B with Taco 550 zone valves & main zone circulator (with or without tankless H/W coil)

- 1. Set DHWP to “TT”
- 2. Set Circulator on “TT”



AquaSmart A or B with Taco 550 zone valves & indirect H/W circulator

1. Set DHWP to “ZR”
2. Set Circulator on “BOTH”



AquaSmart A or B with Taco 550 zone valves with indirect H/W wired as priority