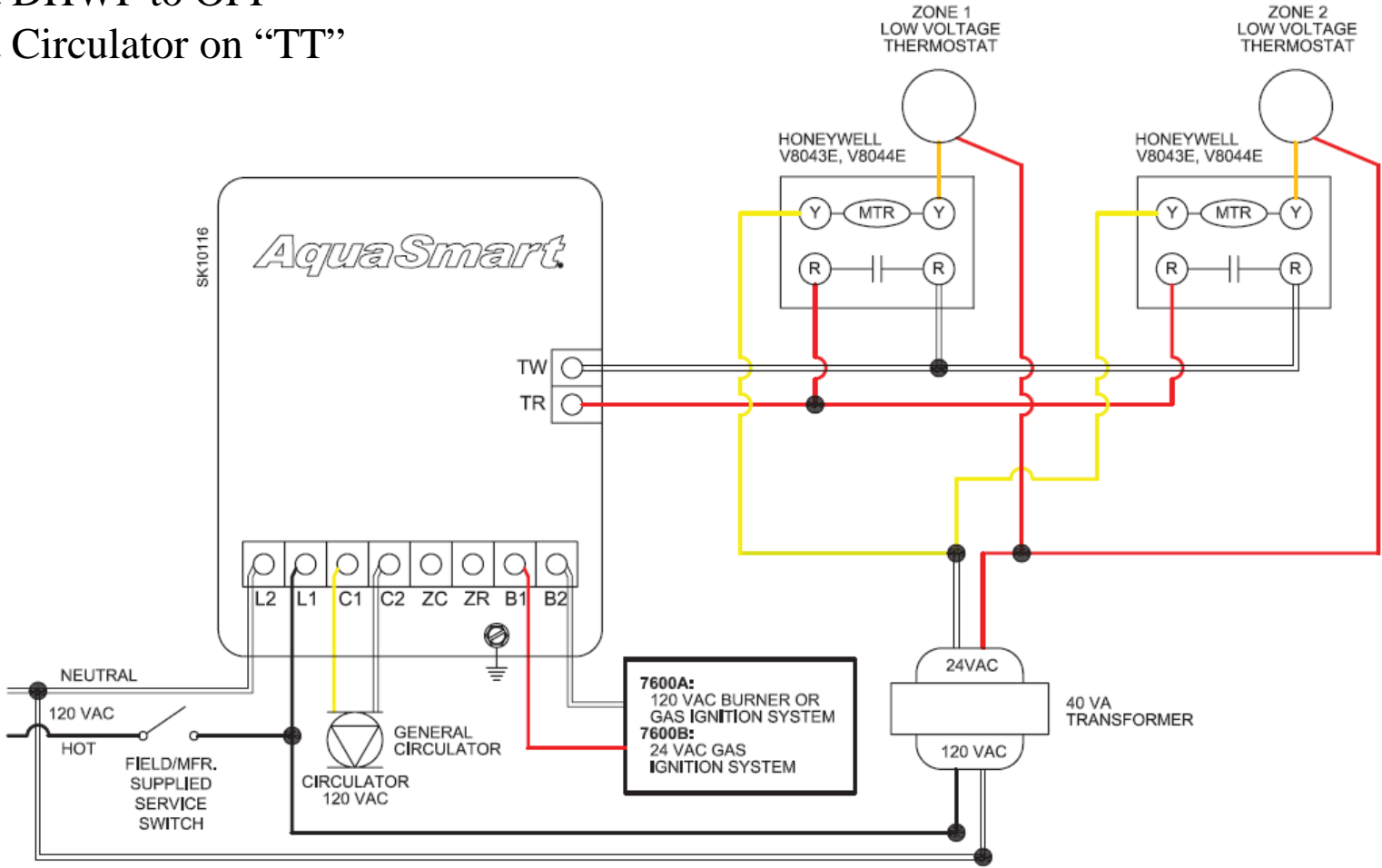


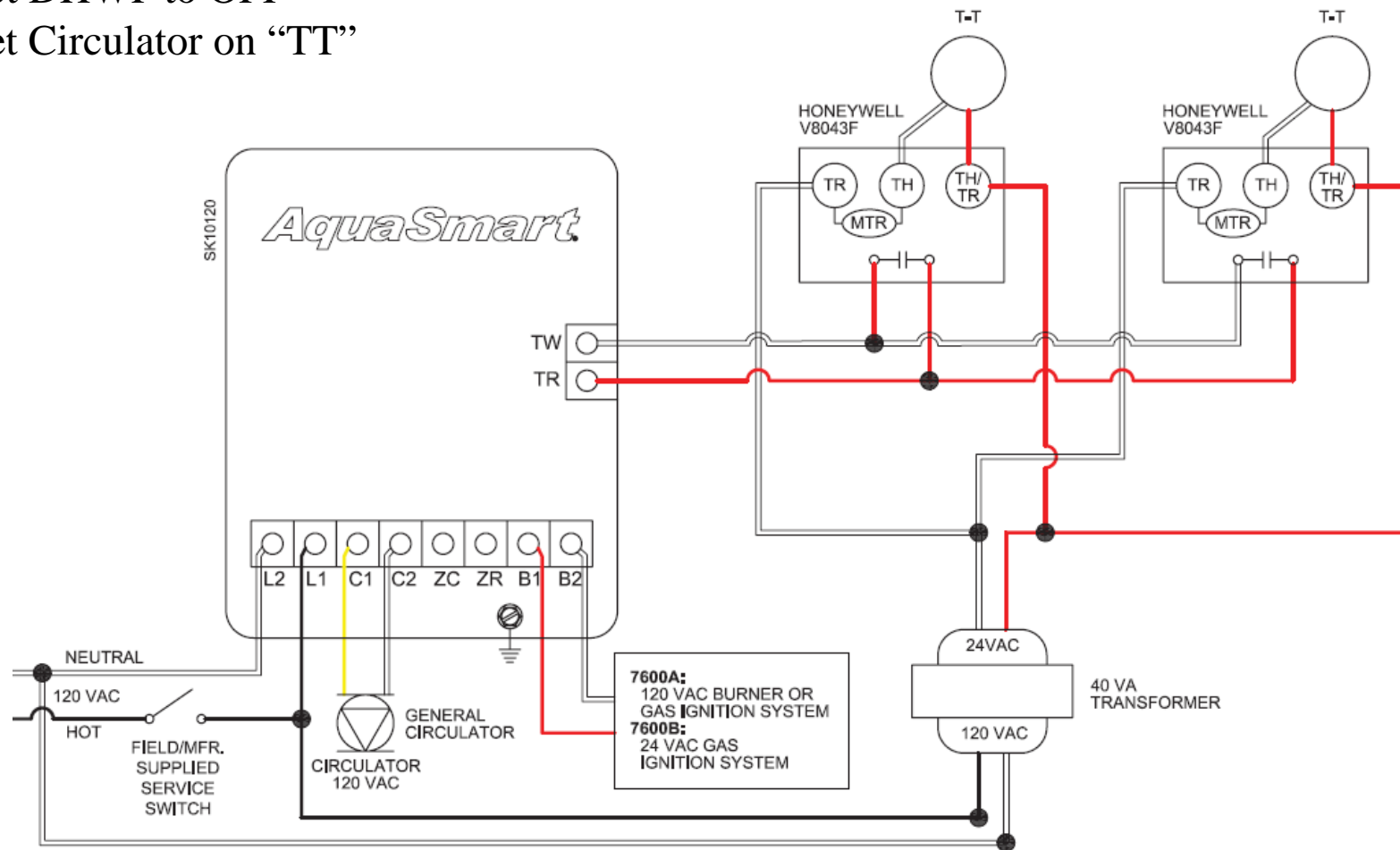
**THIS QUICK TUTORIAL
WILL GUIDE YOU
THROUGH THE STEPS
WIRING THE 7600
AQUASMART WITH
HONEYWELL ZONE
VALVES**

- 1. Set DHWP to OFF
- 2. Set Circulator on “TT”



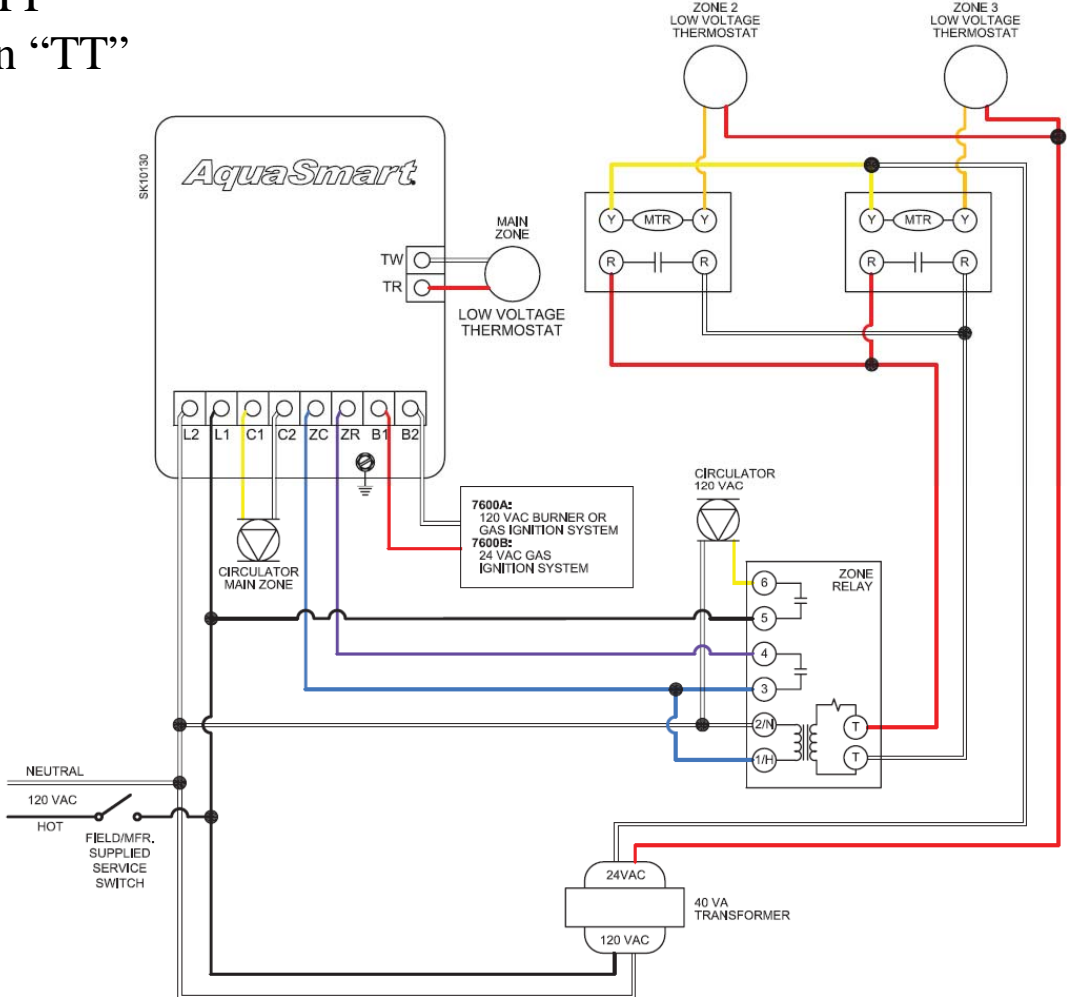
AquaSmart A or B with Honeywell V8043E/V8044E zone valves (with or without tankless H/W coil)

1. Set DHWP to OFF
2. Set Circulator on "TT"



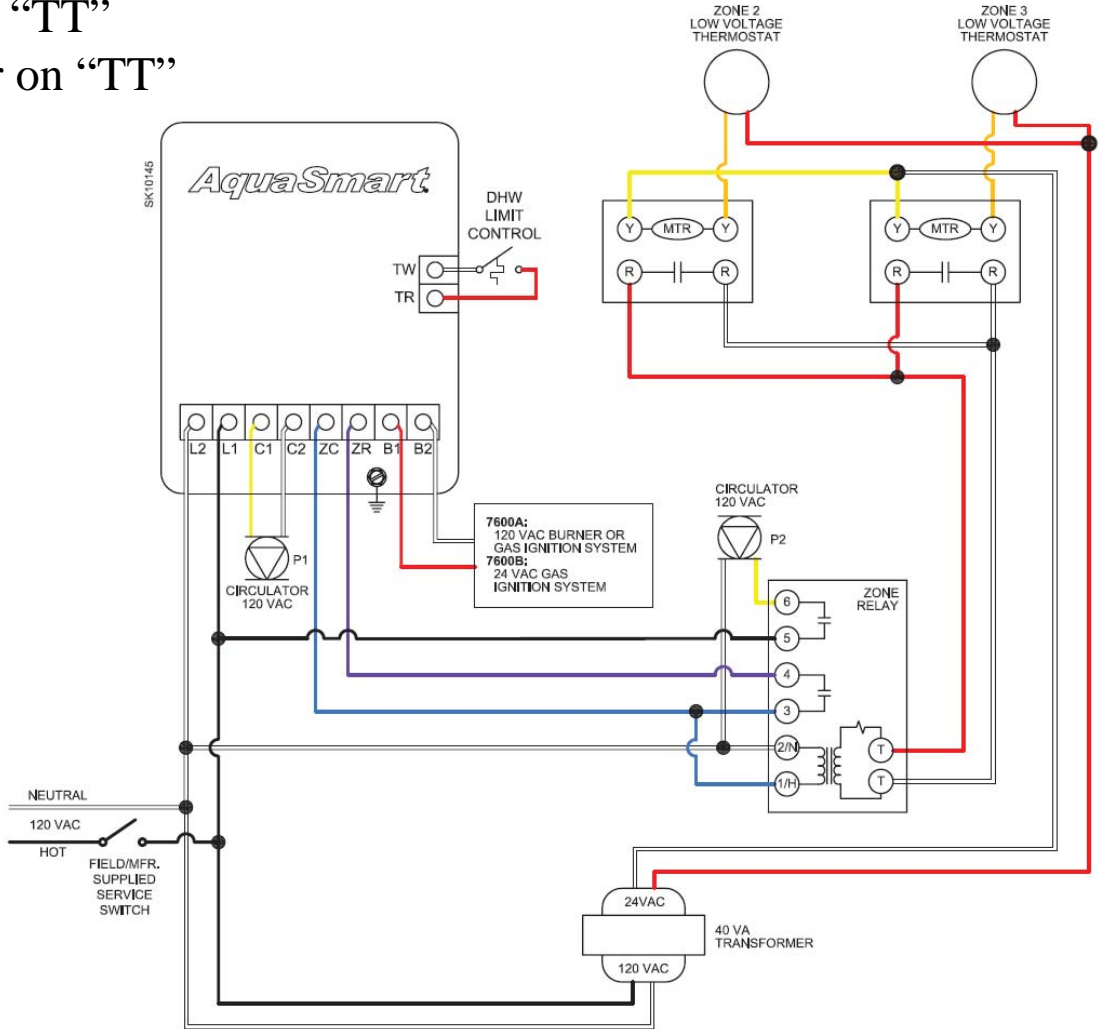
AquaSmart A or B with Honeywell V8043F zone valves (with or without tankless H/W coil)

- 1. Set DHWP to OFF
- 2. Set Circulator on “TT”



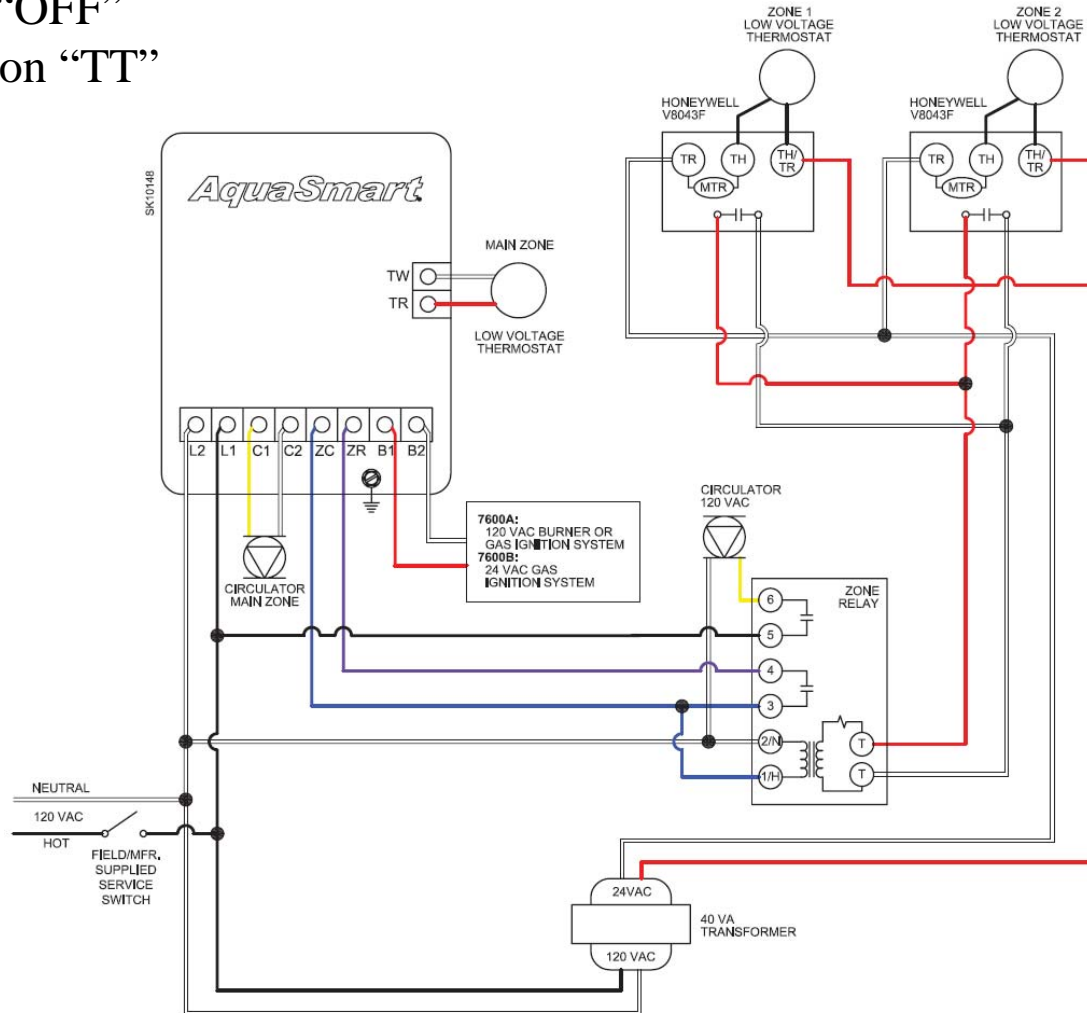
AquaSmart A or B with Honeywell V8043E/V8044E zone valves & main zone circulator (with or without tankless H/W coil)

- 1. Set DHWP to “TT”
- 2. Set Circulator on “TT”



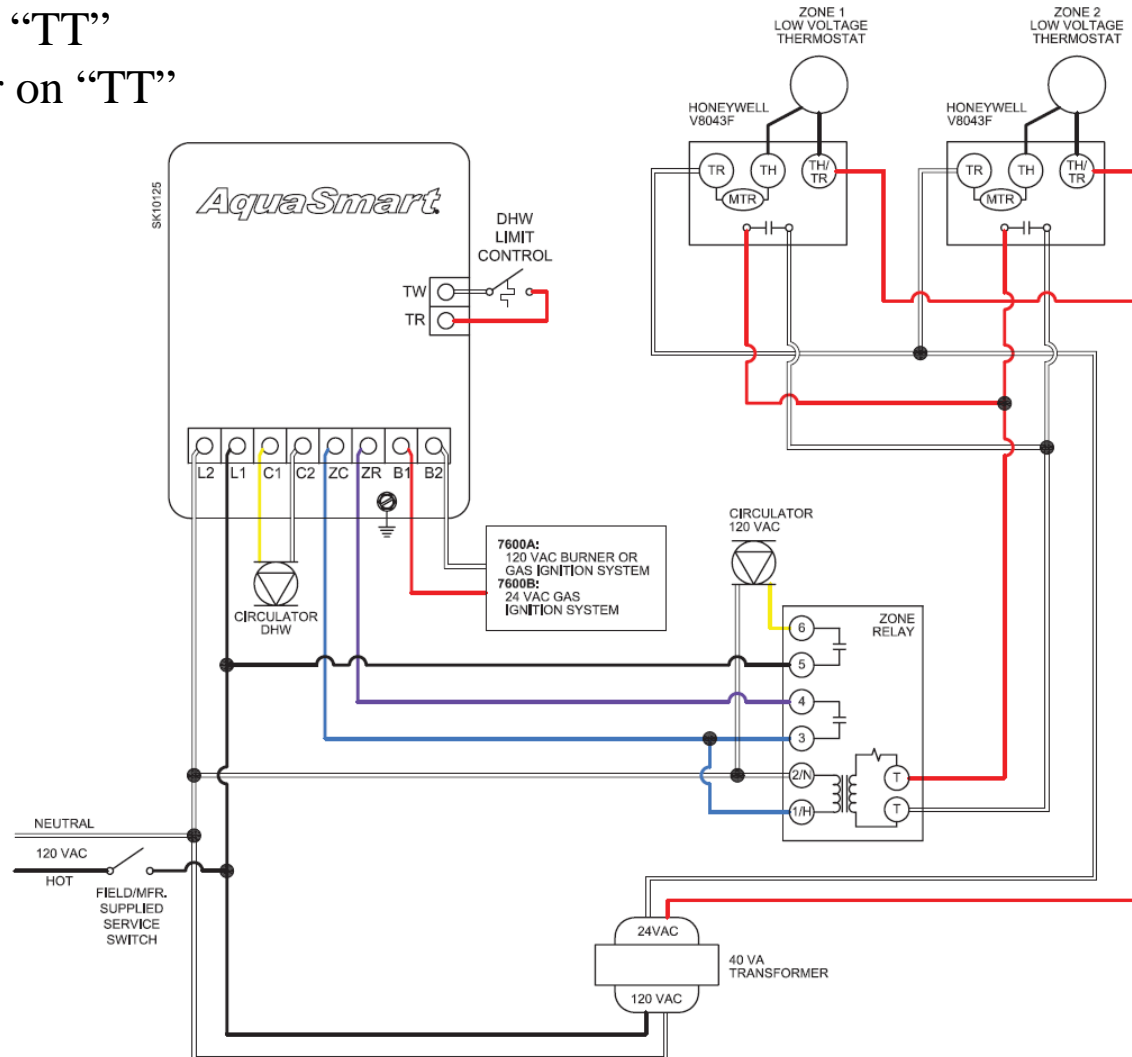
AquaSmart A or B with Honeywell V8043E/V8044E zone valves & indirect H/W circulator

1. Set DHWP to “OFF”
2. Set Circulator on “TT”



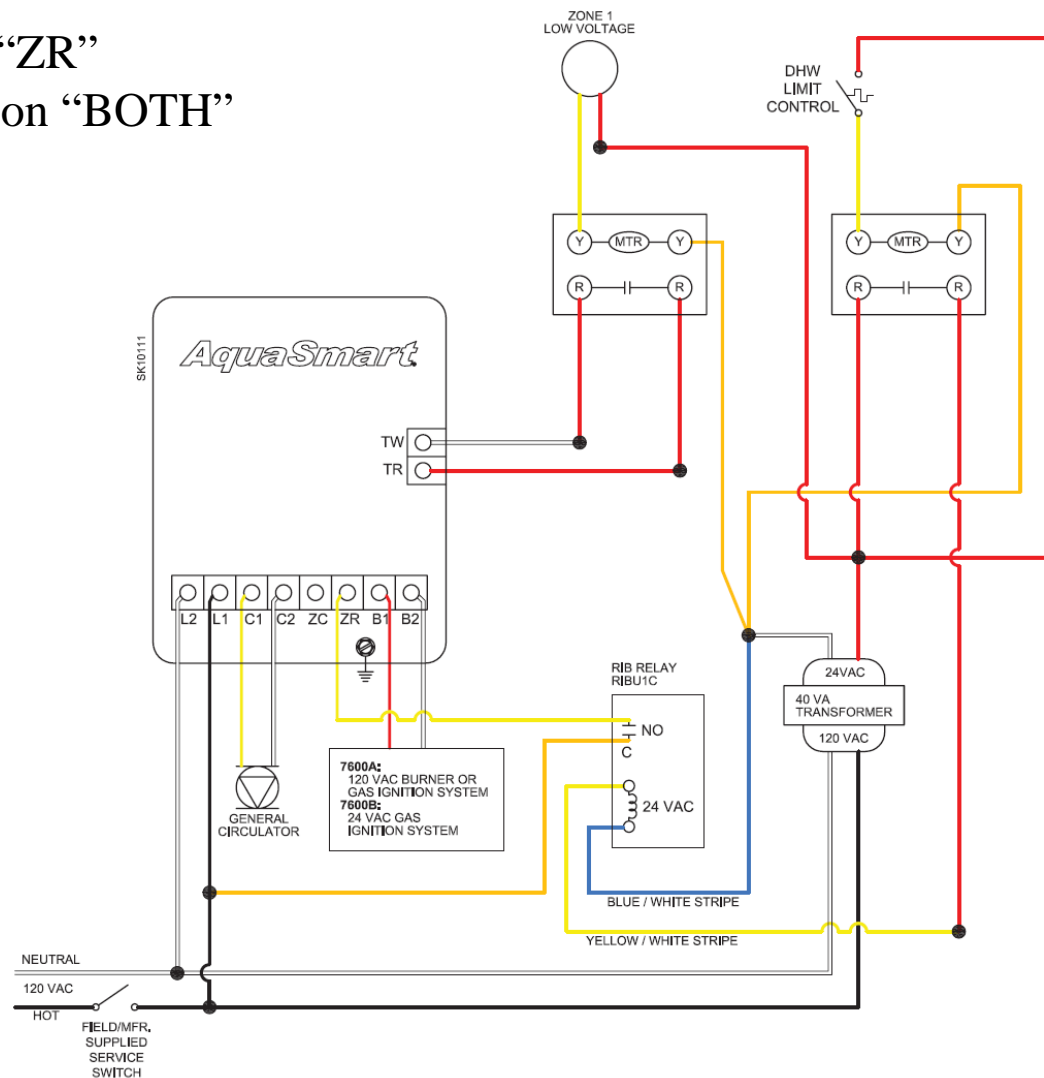
**AquaSmart A or B with Honeywell V8043F & main zone circulator
(with or without tankless H/W coil)**

1. Set DHWP to “TT”
2. Set Circulator on “TT”



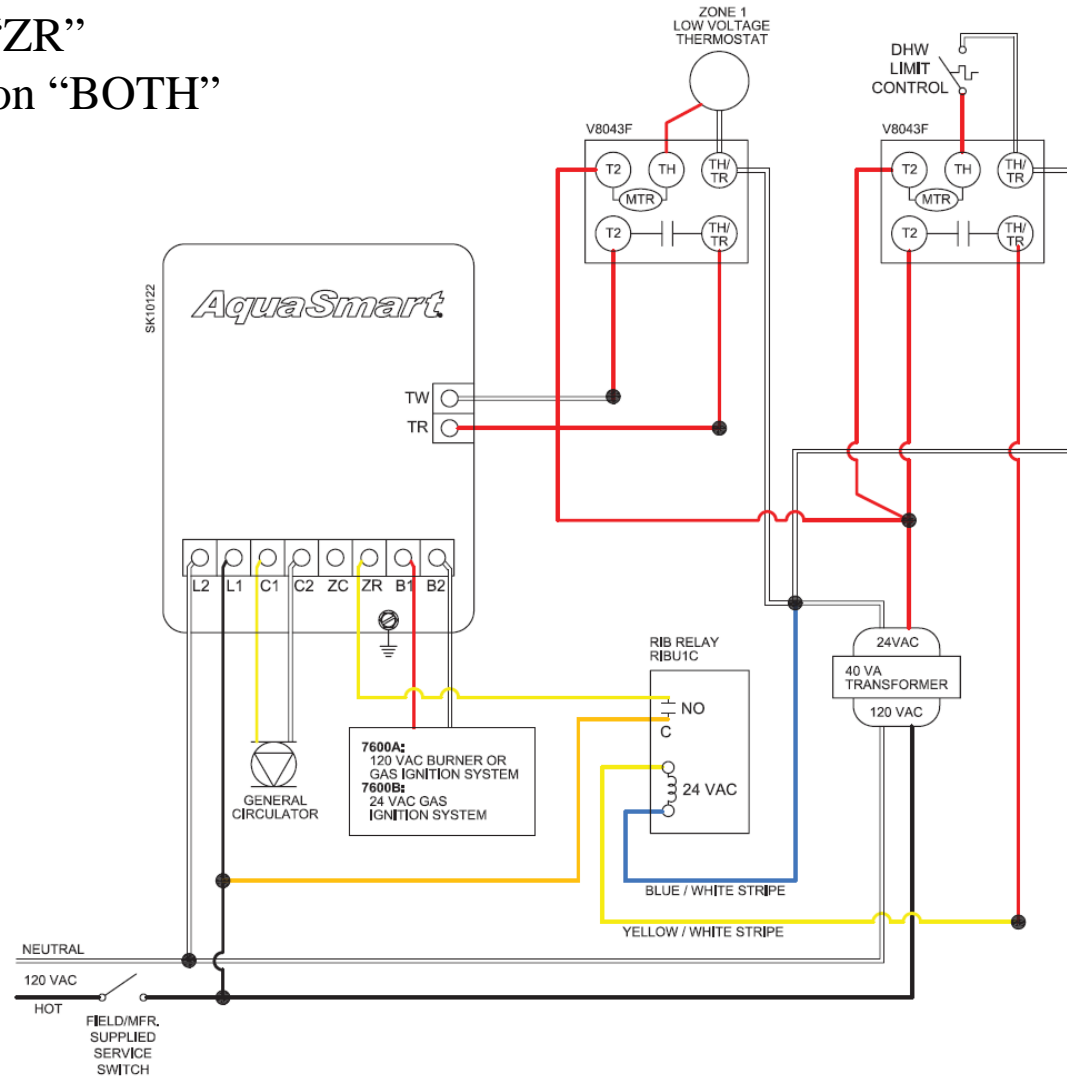
AquaSmart A or B with Honeywell V8043F zone valves & indirect H/W circulator

1. Set DHWP to “ZR”
2. Set Circulator on “BOTH”



AquaSmart A or B with Honeywell V8043E/8044E zone valves with indirect H/W wired as priority

1. Set DHWP to “ZR”
2. Set Circulator on “BOTH”



AquaSmart A or B with Honeywell V8043F zone valves with indirect H/W wired as priority