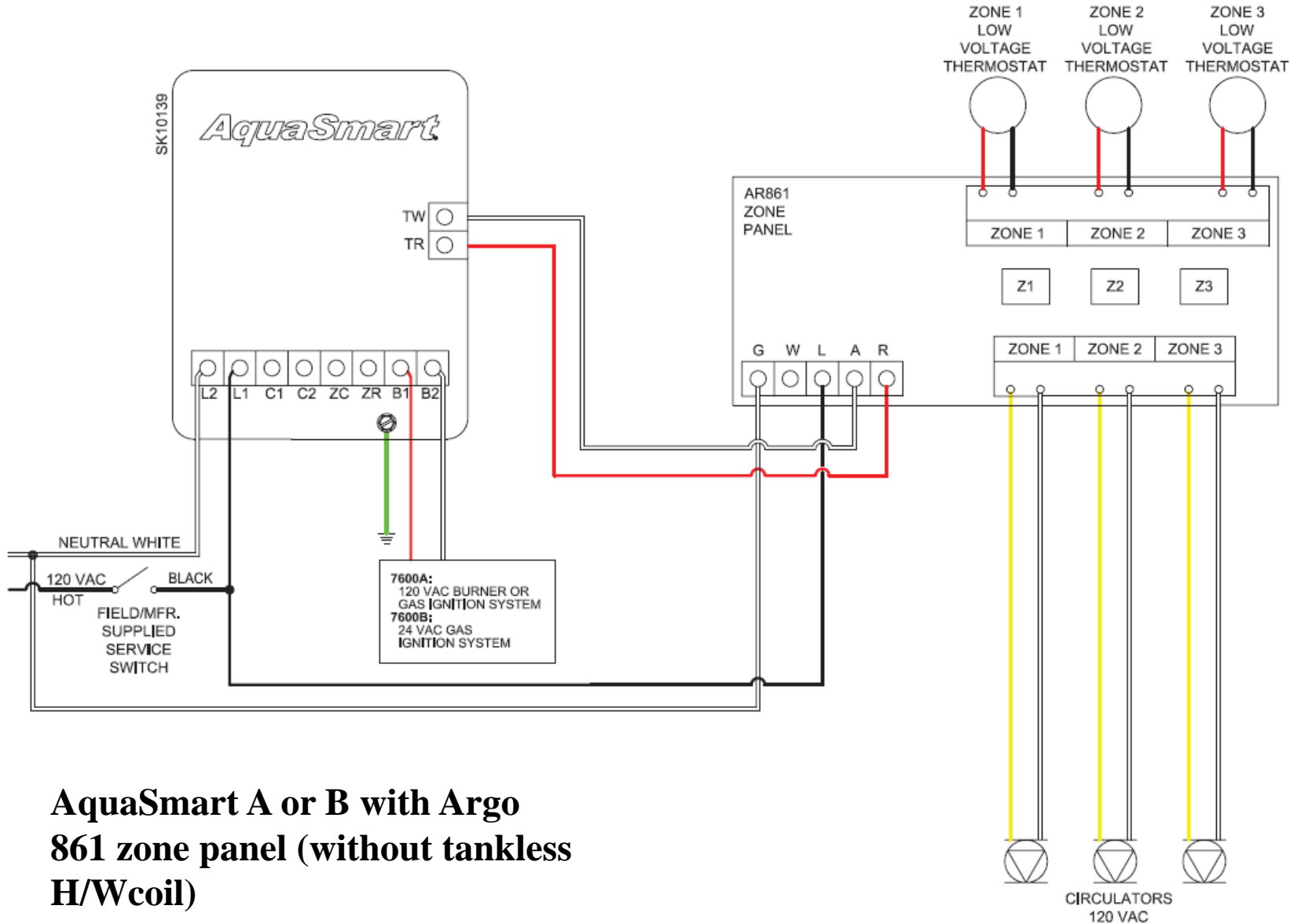
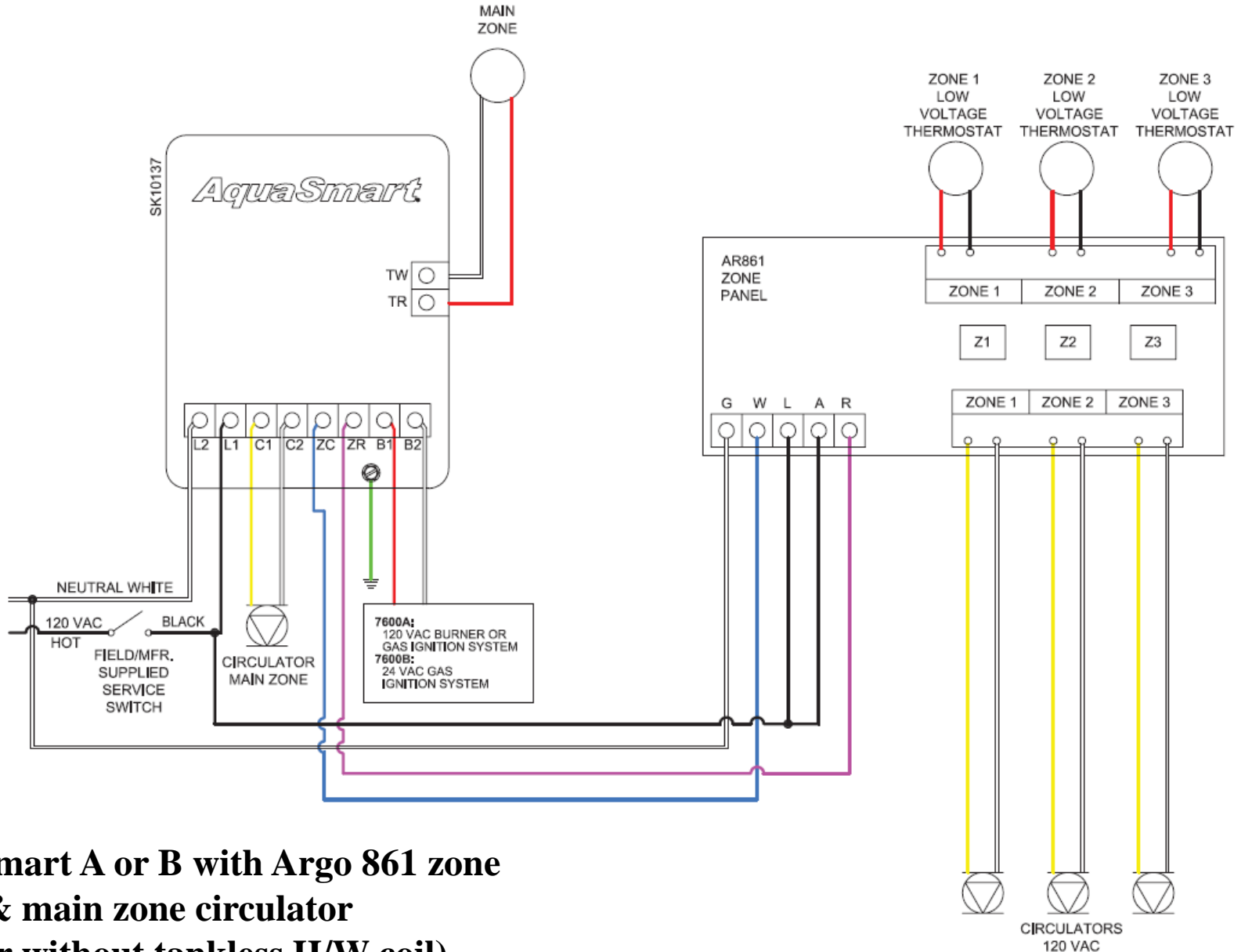


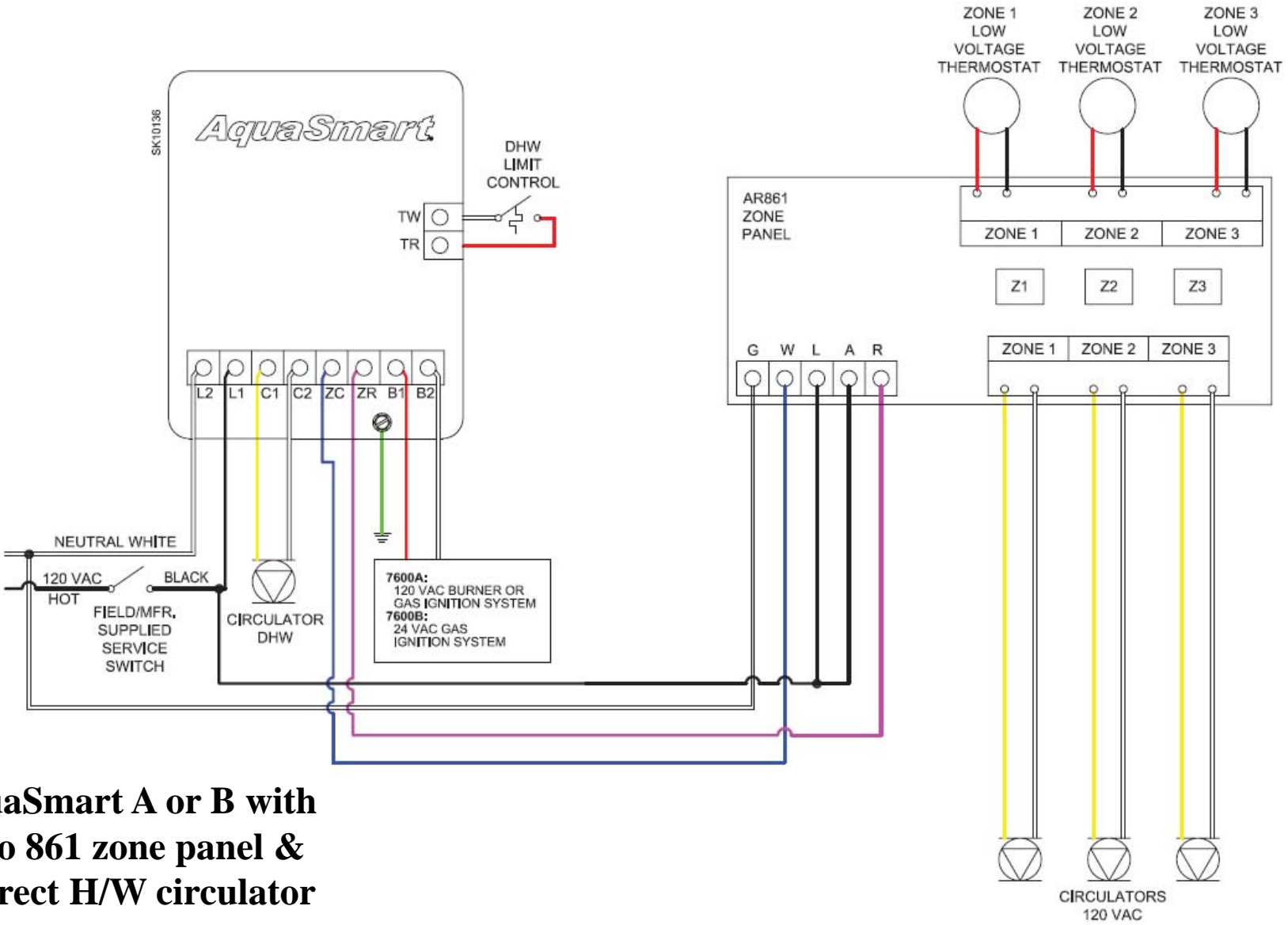
**THIS QUICK TUTORIAL
WILL GUIDE YOU
THROUGH THE STEPS
ON WIRING THE
AQUASMART WITH
ARGO ZONE PANELS**



**AquaSmart A or B with Argo
861 zone panel (without tankless
H/Wcoil)**



AquaSmart A or B with Argo 861 zone panel & main zone circulator (with or without tankless H/W coil)



**AquaSmart A or B with
Argo 861 zone panel &
indirect H/W circulator**