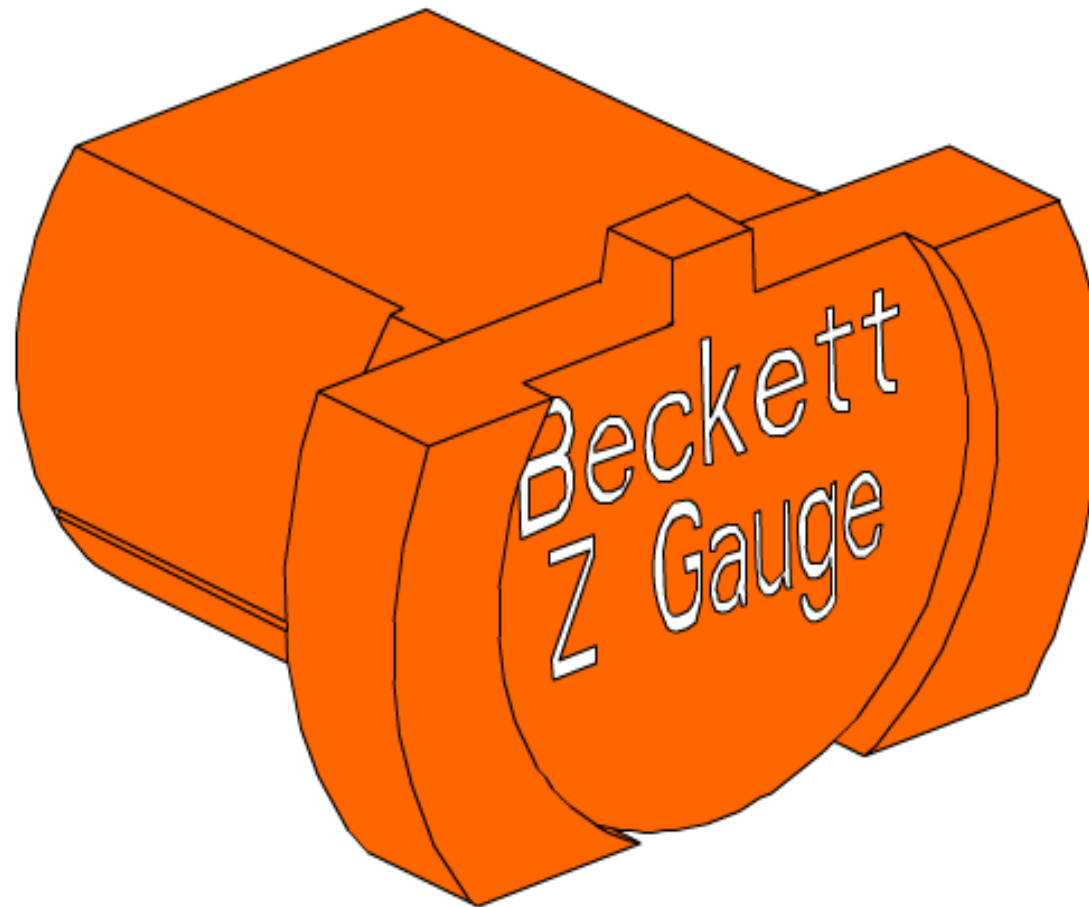
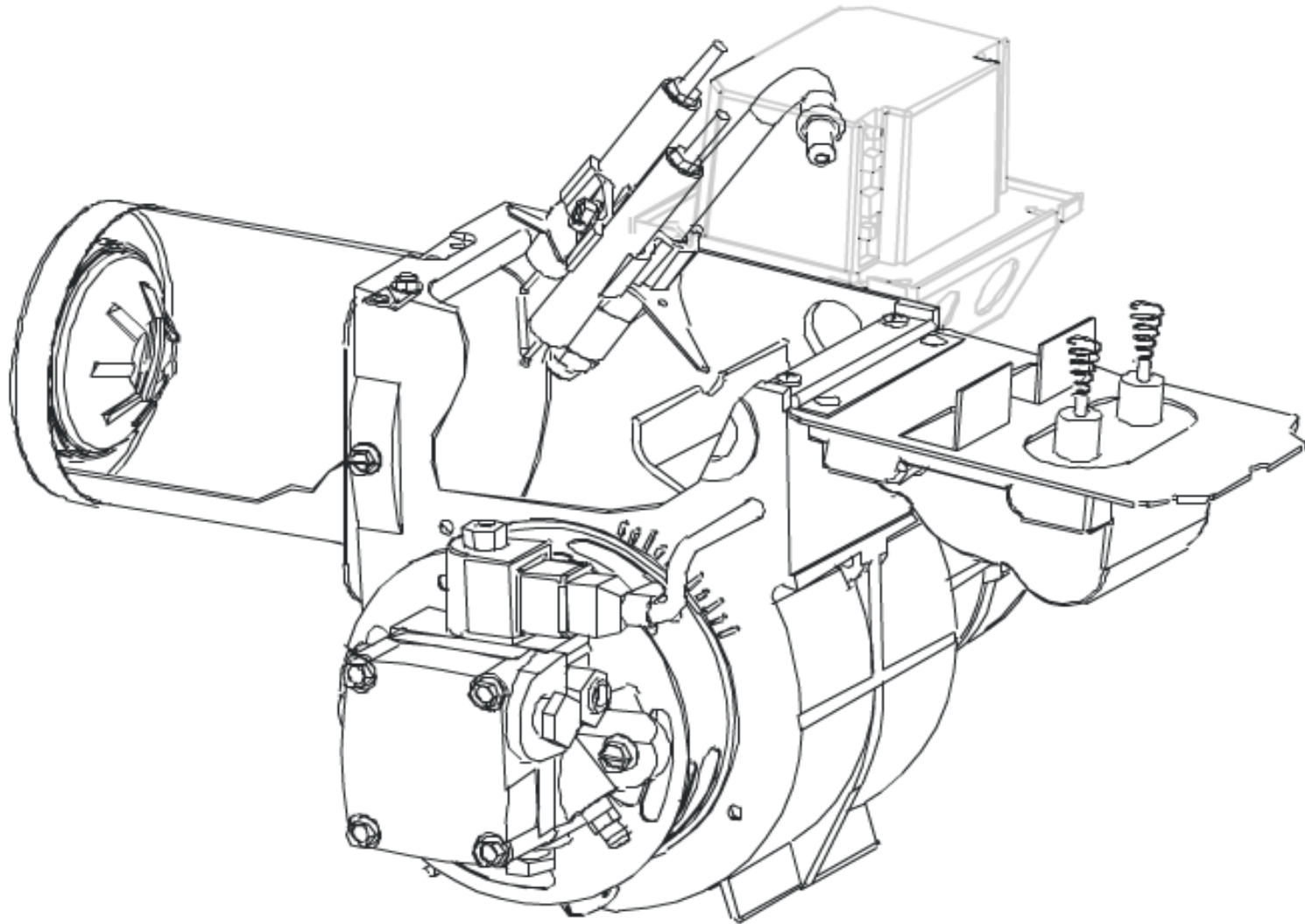


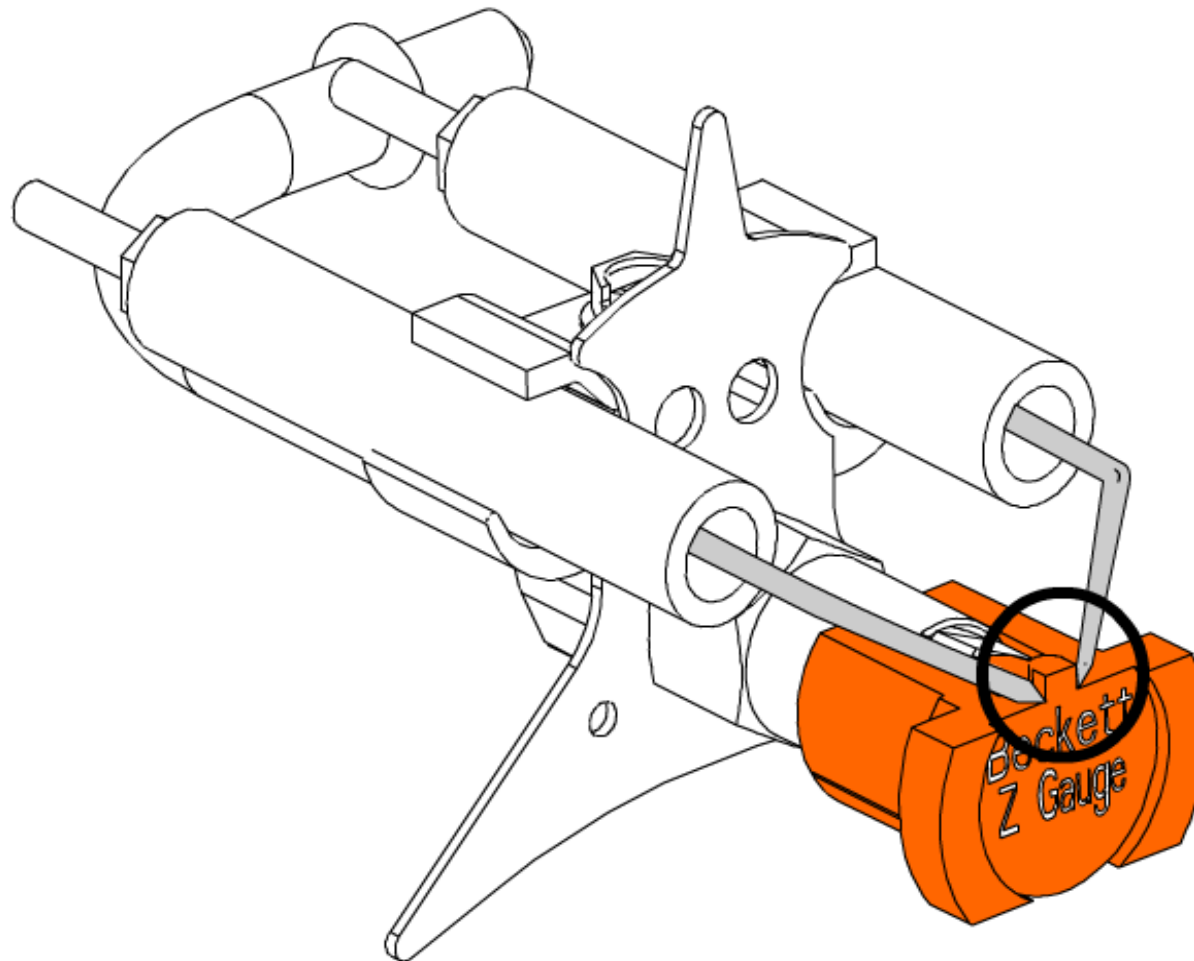
**THIS QUICK TUTORIAL  
WILL GUIDE YOU  
THROUGH THE STEPS ON  
SETTING THE “Z” DIM  
AND ELECTRODES  
USING THE BECKETT  
Z GAUGE**



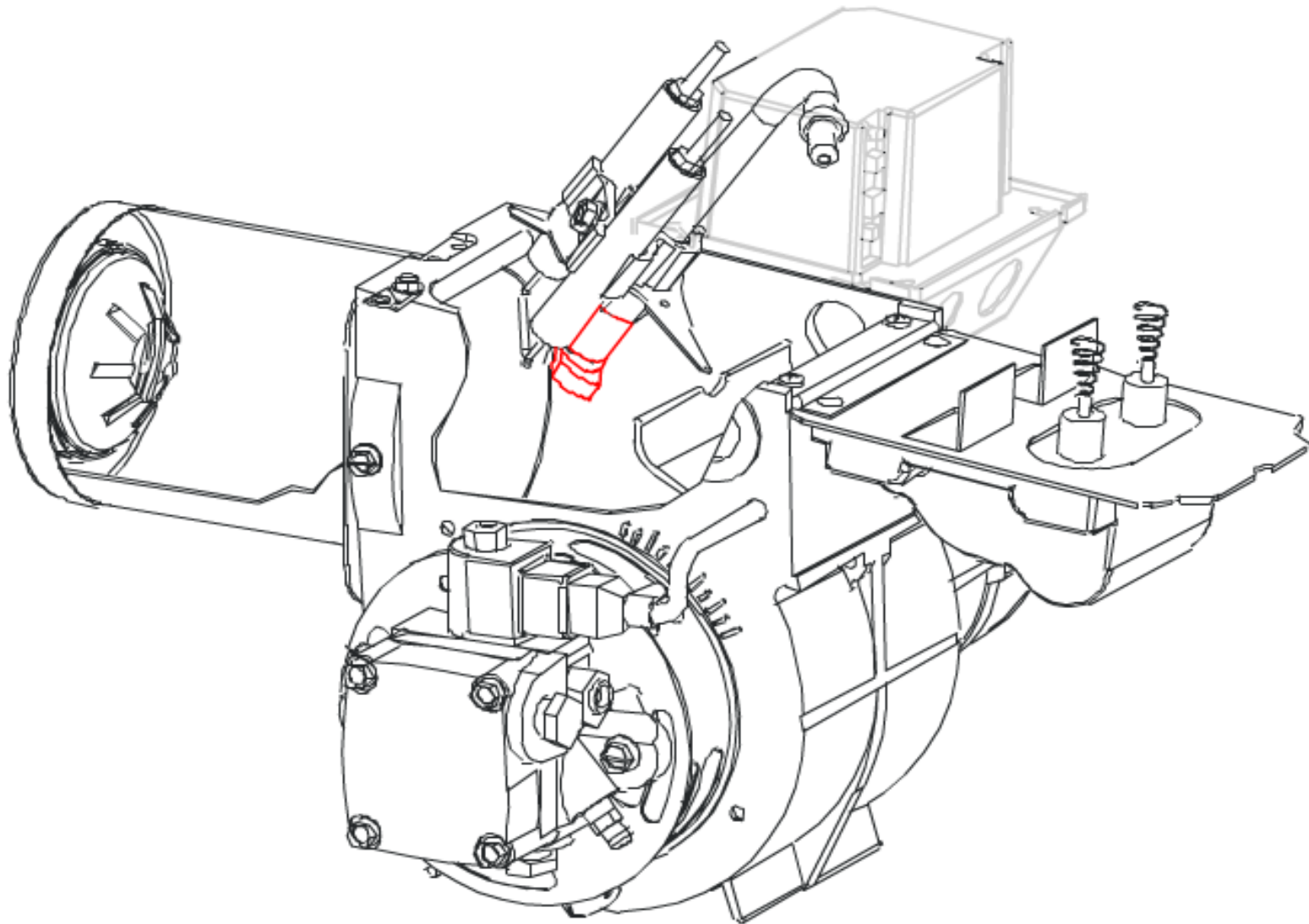
**Setting the electrodes and Z dimension using the Beckett  
“Z” gauge**



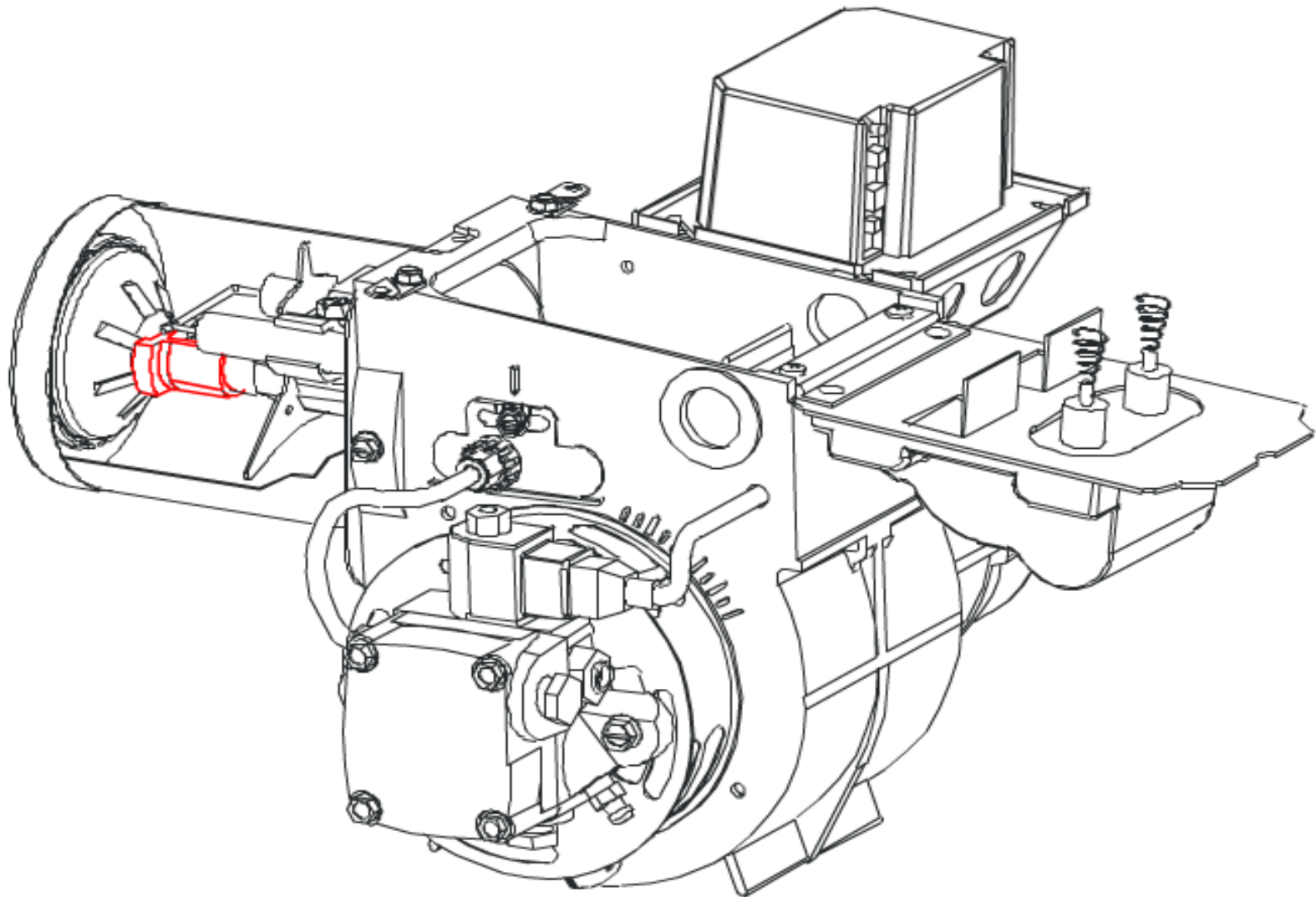
**Begin by removing the nozzle line electrode assembly**



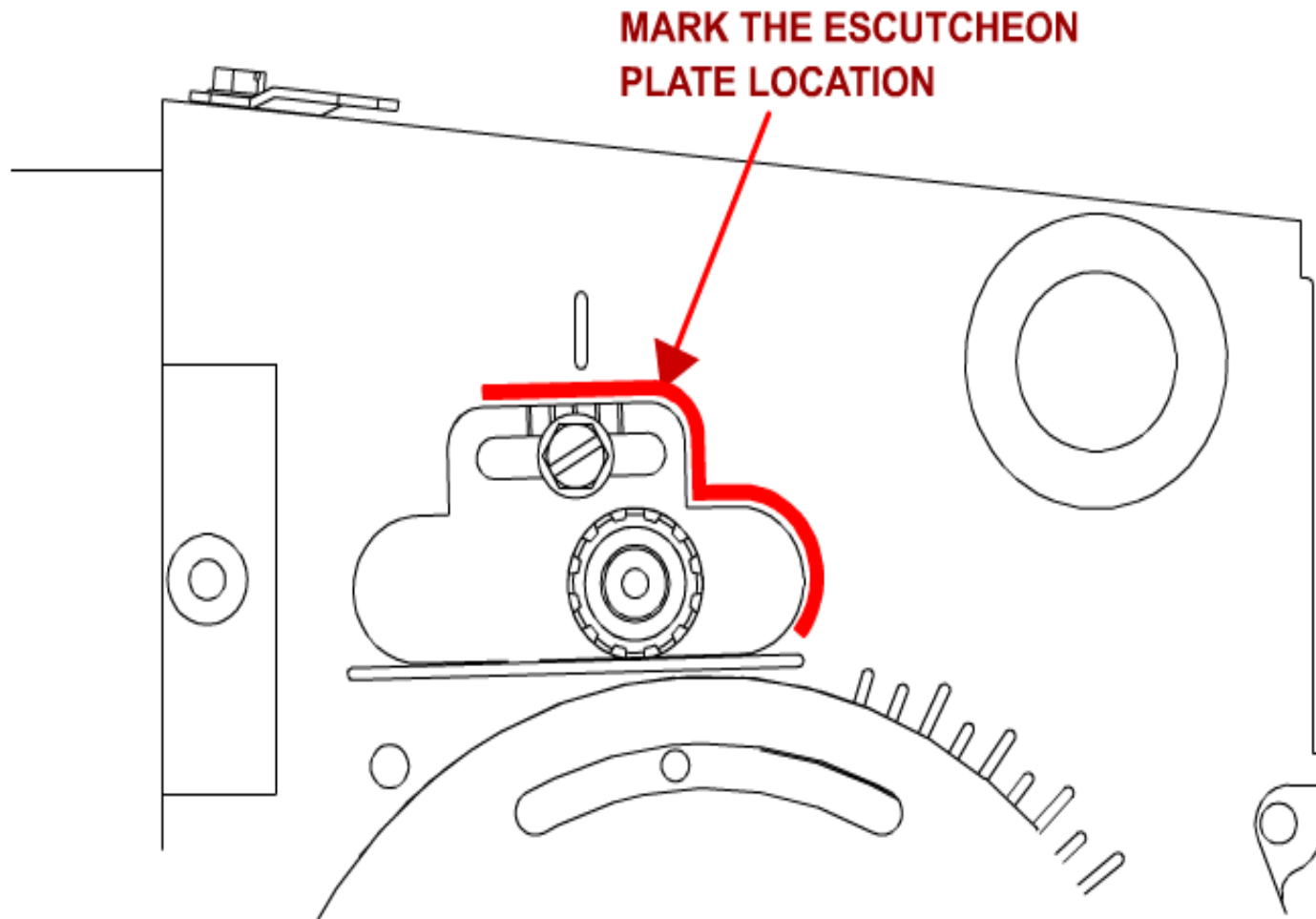
**Slide the Beckett Z gauge over the nozzle and make sure the electrodes are flush with the end of the gauge**



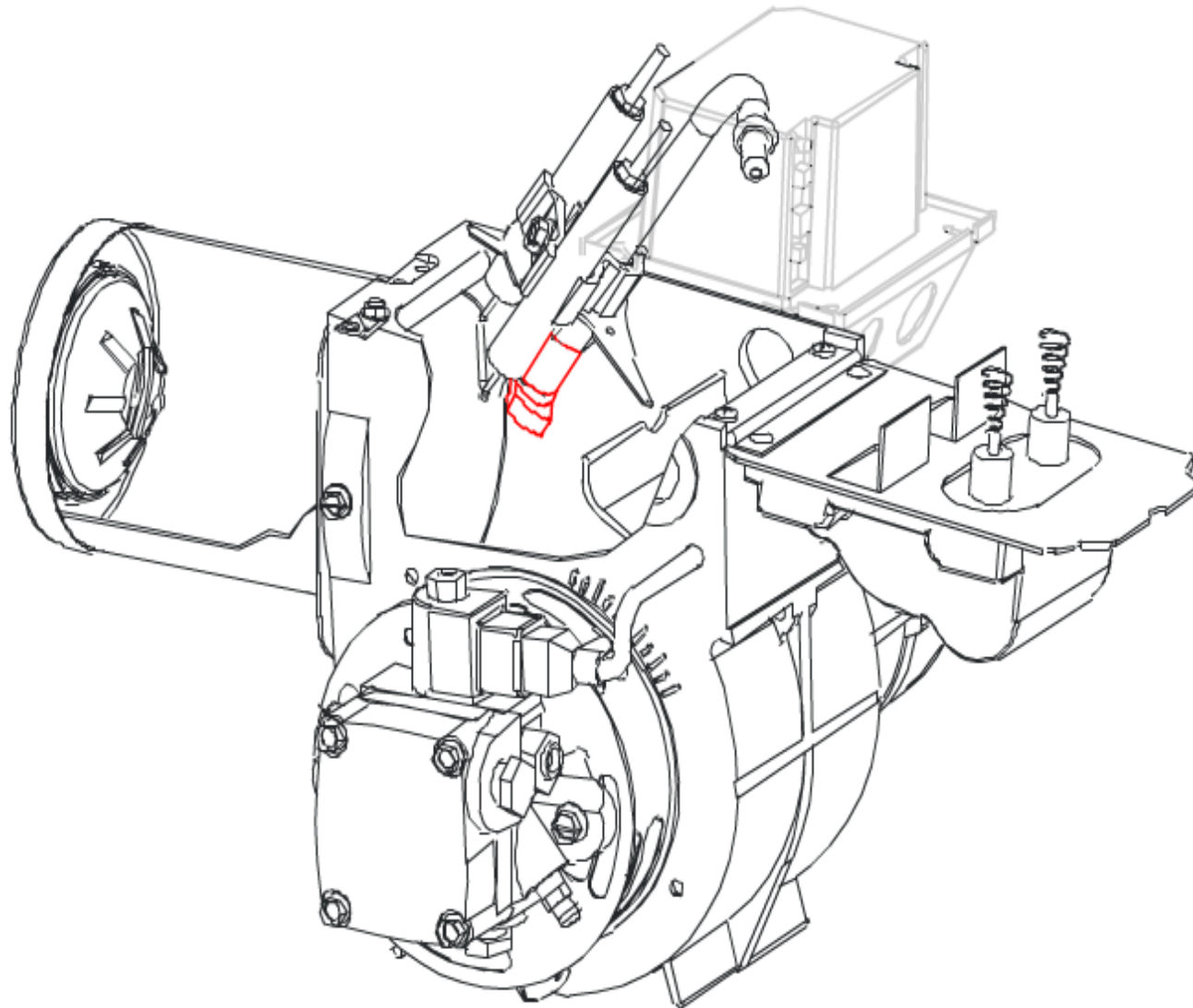
**After the electrodes are set, re-install the NLEA**



**Push the NLEA forward as far as it will go**

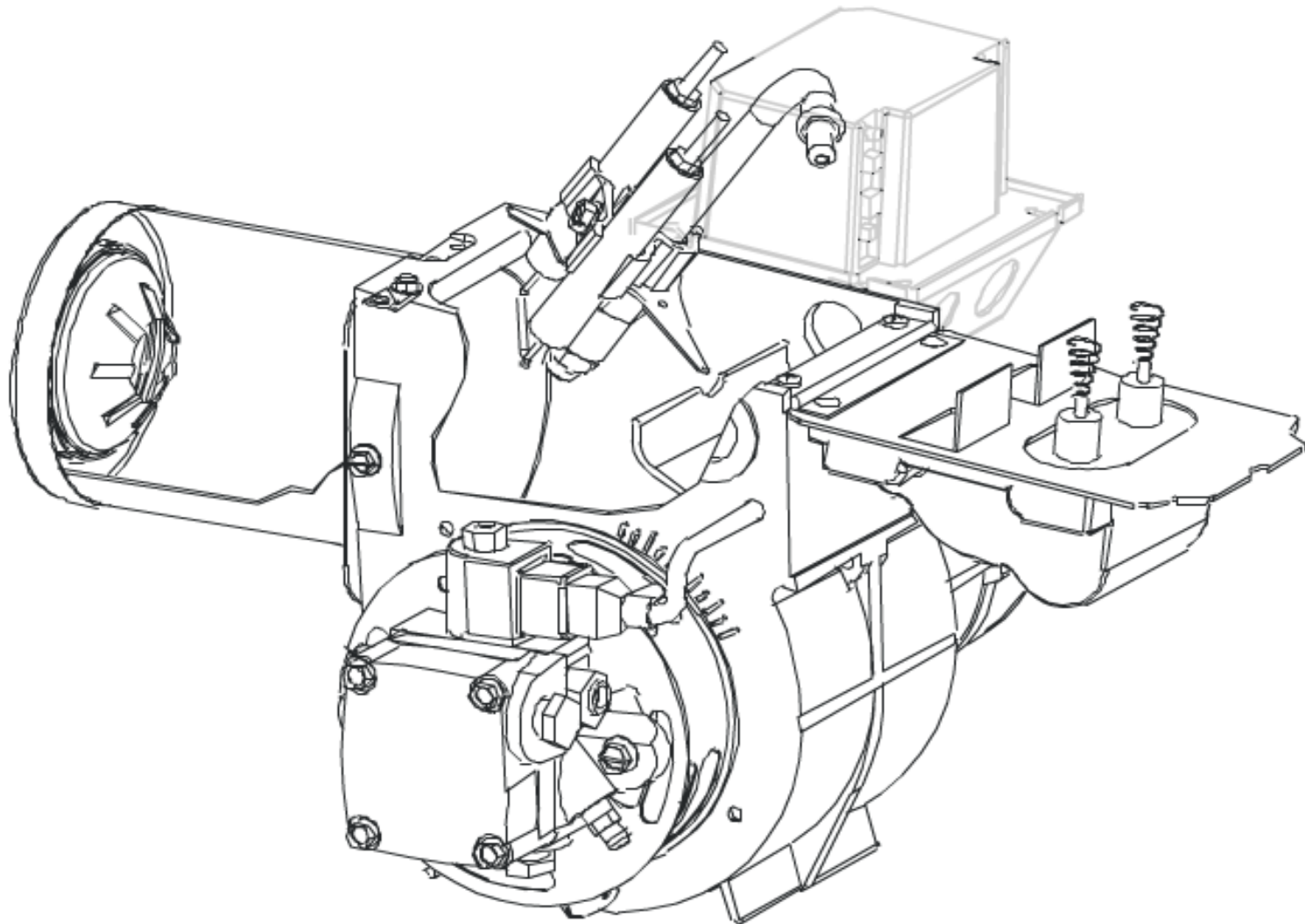


**Mark the escutcheon plate location on the burner housing**



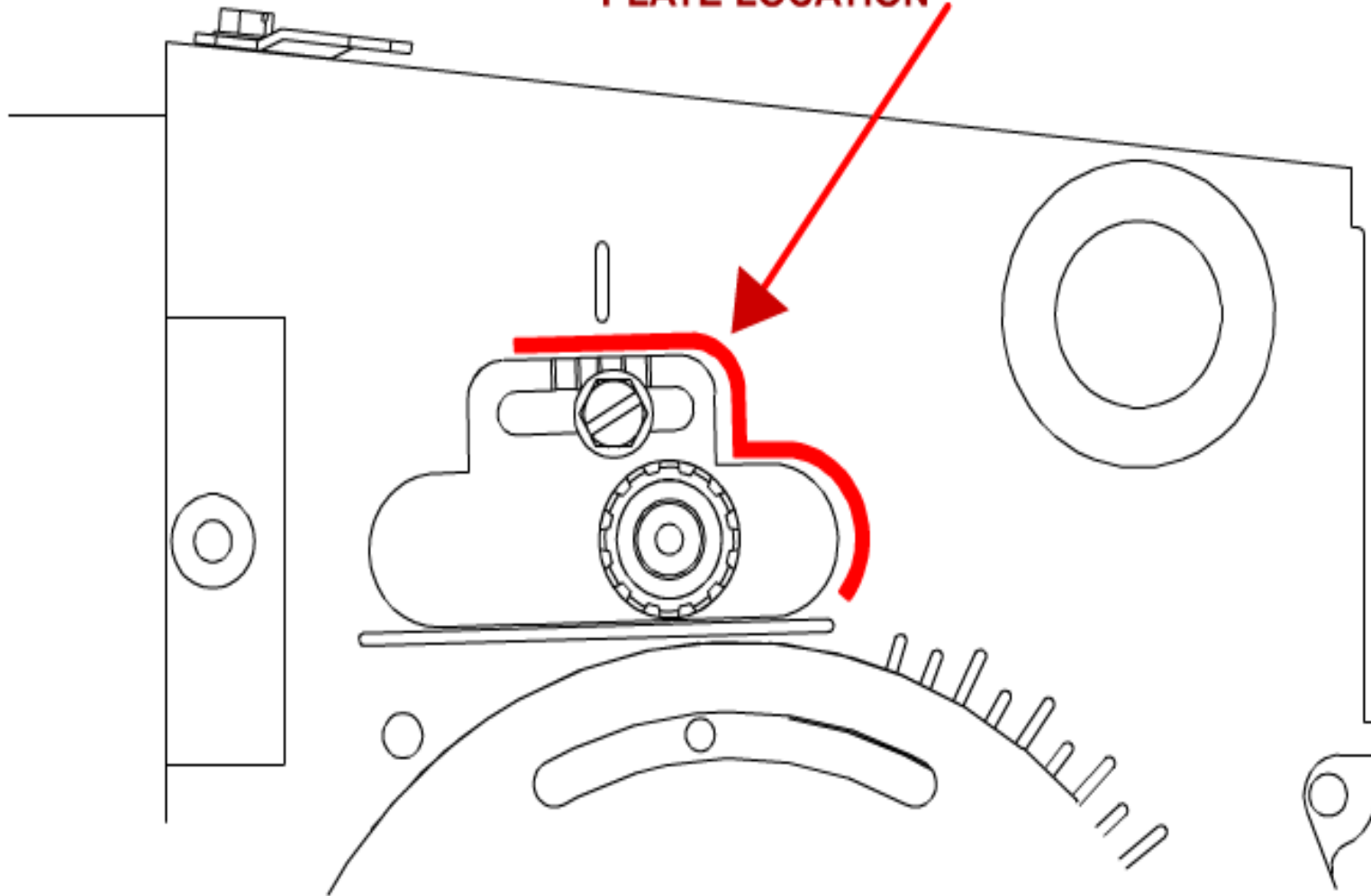
**Remove the NLEA and gauge**



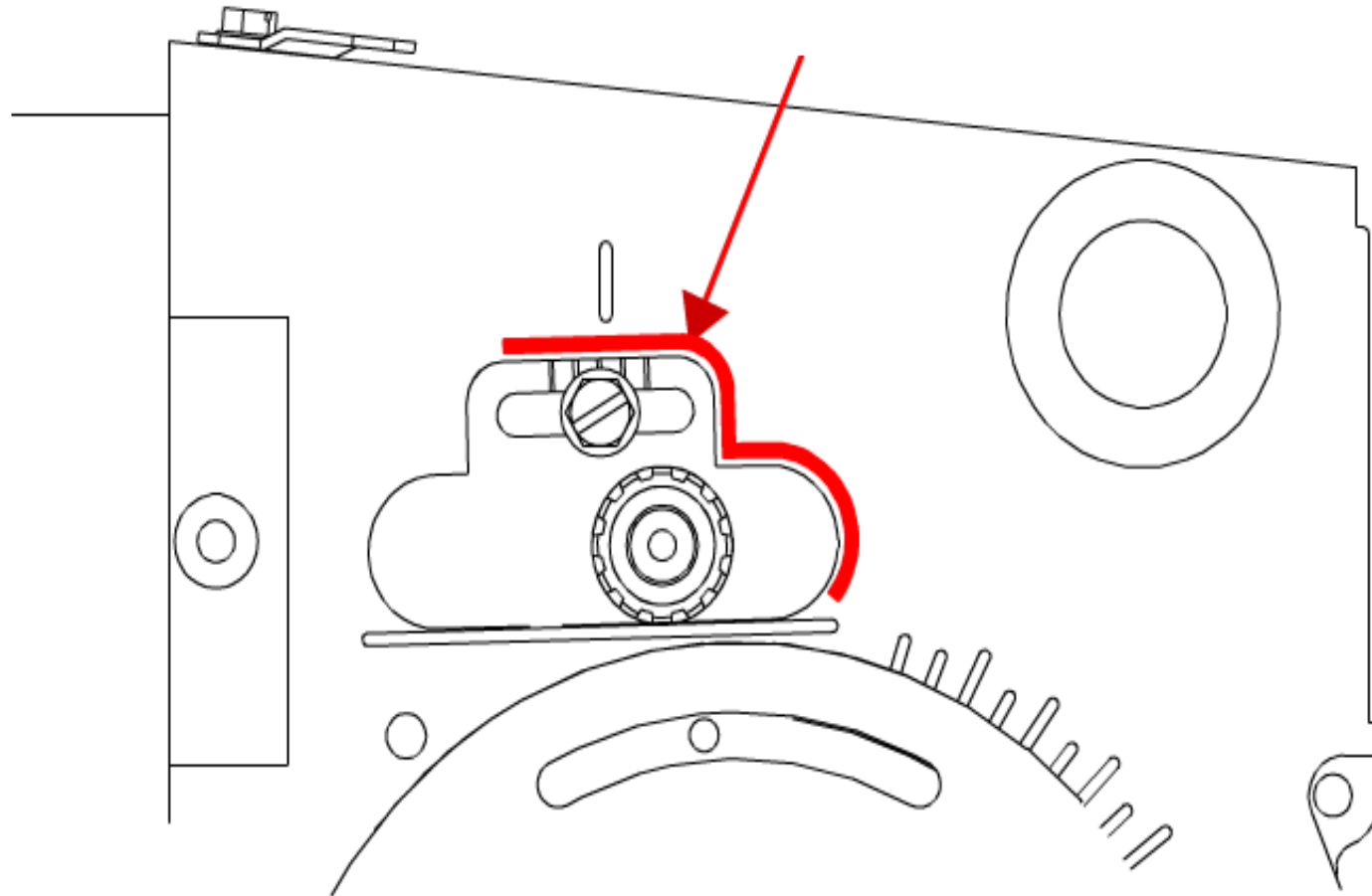


**Re-install the NLEA**

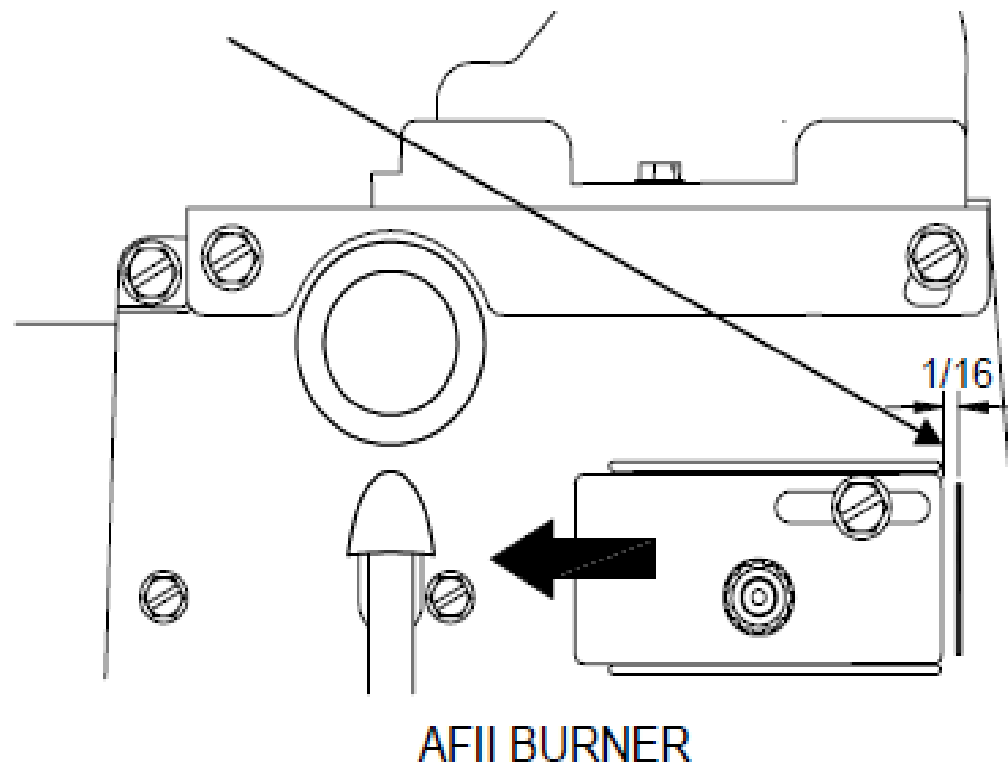
ADJUST THE ESCUTCHEON  
PLATE LOCATION



**Adjust the escutcheon plate to the mark on the housing**



**The “Z” dimension is now set**



**Move the escutcheon plate 1/16" forward for an AFII burner with the FBX airtube combination**