

**THIS QUICK TUTORIAL
WILL GUIDE YOU
THROUGH THE STEPS
ON INSTALLING THE
PROPANE RESTRICTOR
CONVERSION KIT ON
BECKETT GAS BURNERS**

NOTICE

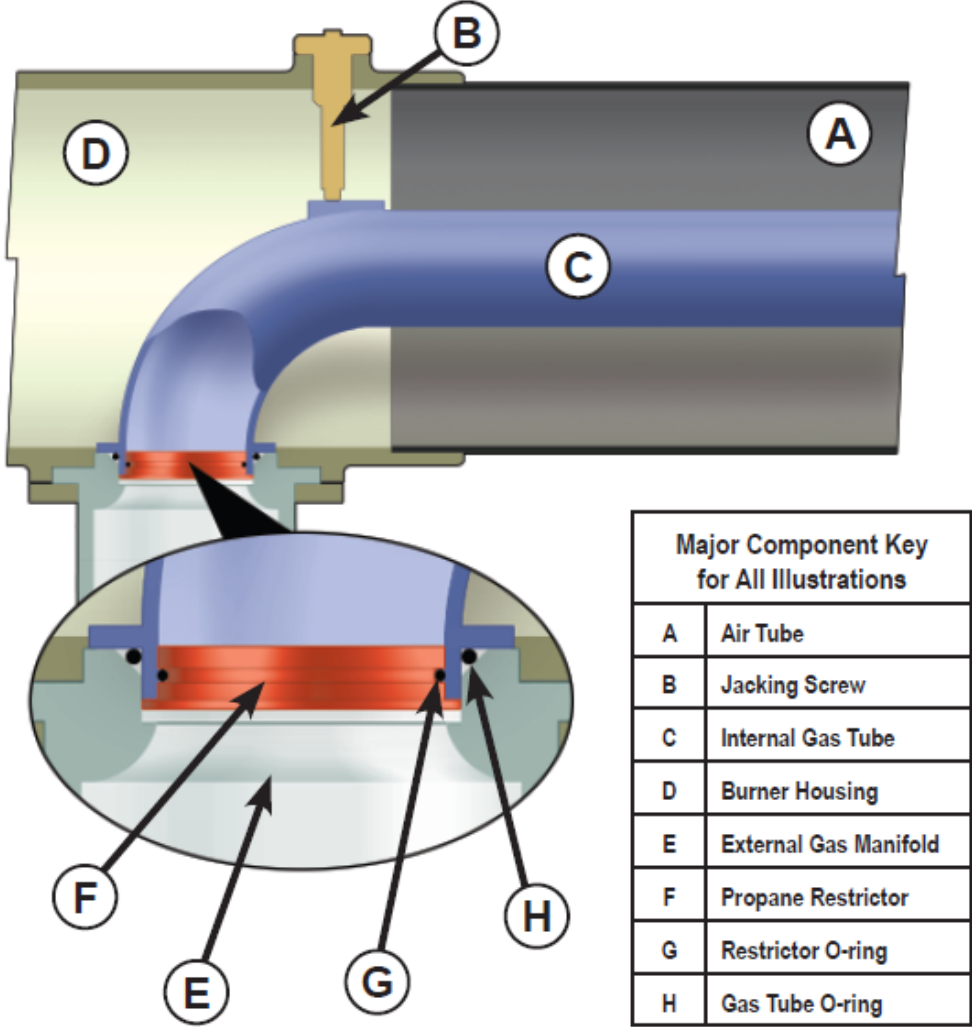
NOTICE

NOTICE

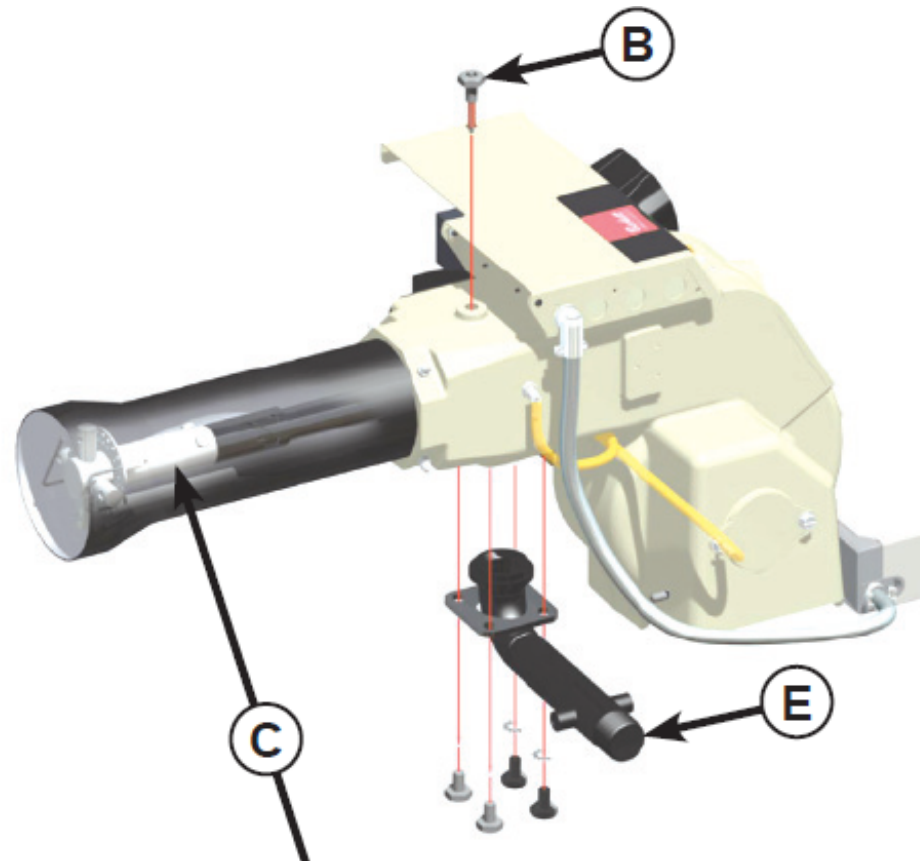
The Beckett Propane Restrictor Conversion Kit allows for the conversion of CG10, CG15, CG25, and CG50 burners for use with propane gas.

Use authorized replacement parts only. Restrictors are precision-machined parts and O-rings are rated for fuel contact. Do not attempt to replicate or modify any parts.

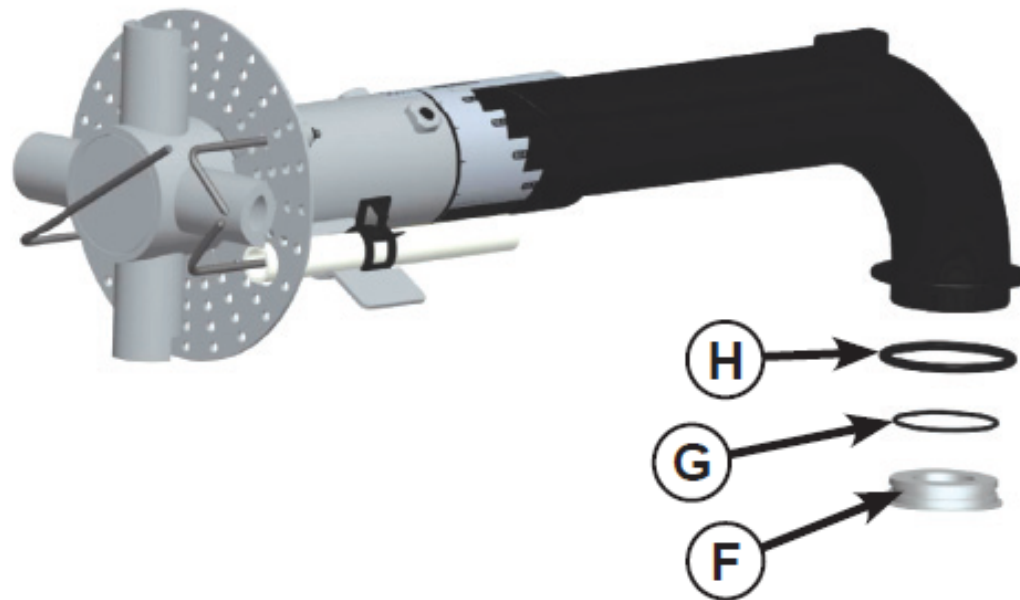
CG15 is shown in the illustrations. CG25 and CG50 are similar. CG10 is similar with the exception of having the gas gun assembly mounted into the air tube instead of the housing.



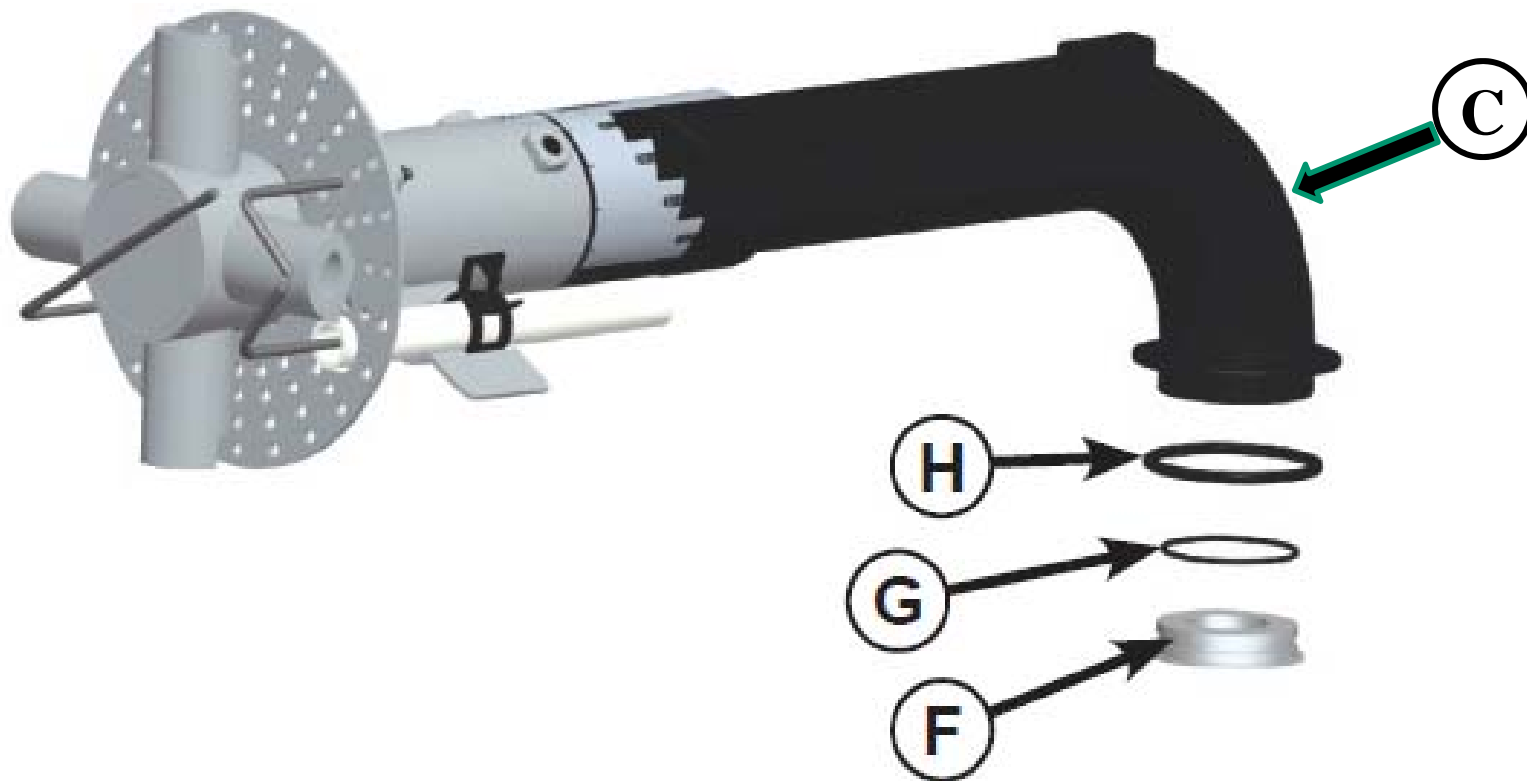
Before we begin, lets get familiar with the components.



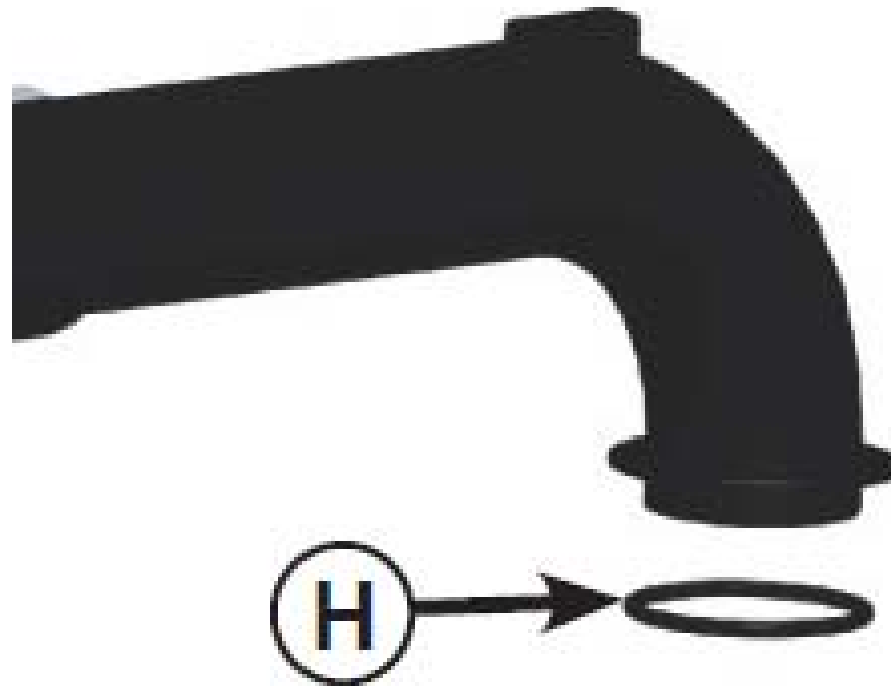
- 1. Remove the jacking screw (B) from the housing to free the internal gas tube (C).**
- 2. Gently rock the internal gas tube (C) to loosen the tube from the burner housing.**



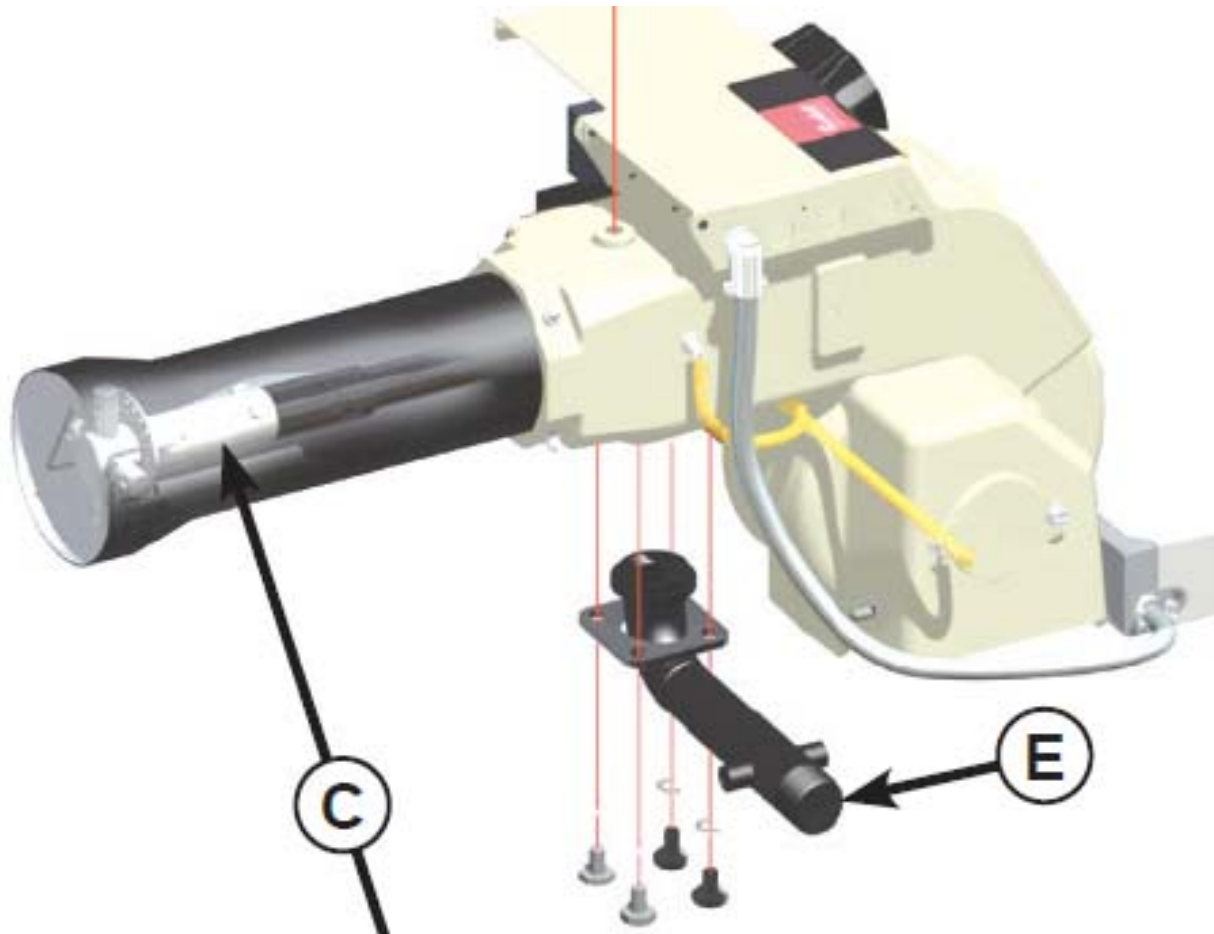
3. Inspect the O-rings and insure that they are properly lubricated. (A silicon O-ring lubricant is recommended, but automotive chassis or bearing grease is an acceptable substitute).



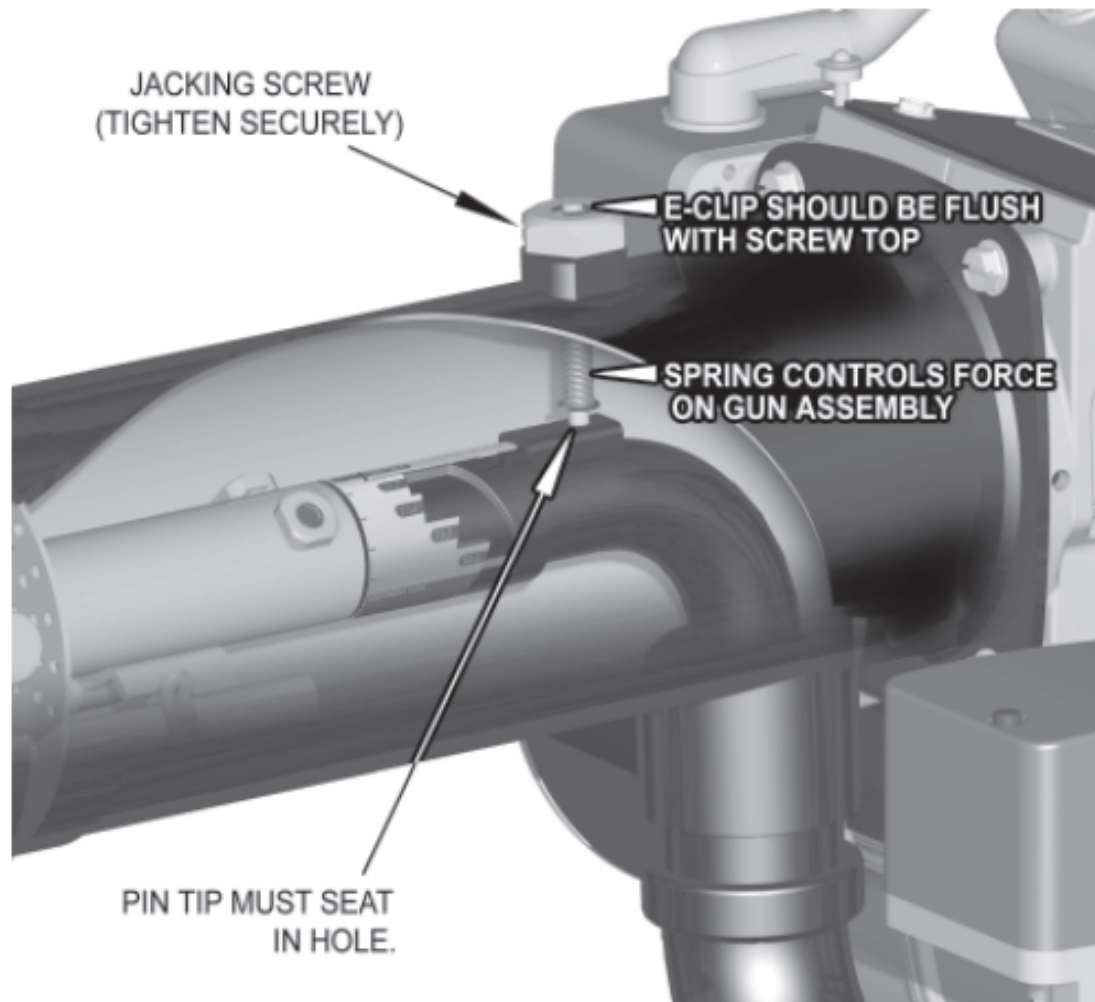
4. Place the restrictor (F) with pre-attached, pre-lubricated O-ring (G) into the internal gas tube (C). Use your hand to press the restrictor into the tube. The O-ring will hold the restrictor in place.



5. Insure that the O-ring (H), attached to the outside diameter of internal gas tube, is properly lubricated and seated against the flange on the internal gas tube.



6. Install the internal gas tube (C) back into the housing. Fit the end of the tube into the external gas manifold (E).



7. Re-install the jacking screw making sure the pin tip is properly seated in the hole on the internal gas tube.

**THIS CONVERSION BURNER HAS BEEN
CONVERTED TO PROPANE FUEL.**

ORIFACE _____

MANIFOLD PRESSURE _____

INPUT _____

61712

8. Fill out and place the supplied conversion data label, Part Number 61712 adjacent to the rating plate.

<i>Beckett</i>	Installation Adjustment Tag
_____	CU. FT./HR. INPUT
_____	MEASURED FLUE GAS PRESSURE
_____	MANIFOLD PRESSURE SETTING
_____	%CO2 OR % O2
_____	PPM CO
COMPLETED BY	
DATE	

9. Complete and attach the supplied Adjustment Data Tag, Part Number 61711 to the burner

Burner Model	Restrictor Part Number	Restrictor Inside Diameter	O-Ring Part Number
CG10.1	3246700U	0.401	3226409U
CG10.2	3246701U	0.432	3226409U
CG10.3, CG10.2S	3246702U	0.470	3226409U
CG10.1S	3246703U	0.418	3226409U
CG10.3S, CG10.6S	3246705U	0.510	3226409U
CG10.4	3246723U	0.547	3226409U
CG10.4S	3246706U	0.459	3226409U
CG10.5	3246724U	0.578	3226409U
CG10.5S	3246707U	0.482	3226409U
CG10.6	3246725U	0.594	3226409U
CG15.1S	3246709U	0.532	3226401U
CG15.2S	3246710U	0.576	3226401U
CG15.3S	3246711U	0.623	3226401U
CG15.4S	3246712U	0.677	3226401U
CG25.1S	3246713U	0.712	3226402U
CG25.2S	3246714U	0.742	3226402U
CG25.3S	3246715U	0.796	3226402U
CG25.4S	3246716U	0.833	3226402U
CG25.5S	3246717U	0.889	3226402U
CG50.1S	3246718U	0.925	3226403U
CG50.2S	3246719U	0.980	3226403U
CG50.3S	3246720U	1.031	3226403U
CG50.4S	3246721U	1.103	3226403U
CG50.5S	3246722U	1.150	3226403U

Replacement Part Numbers