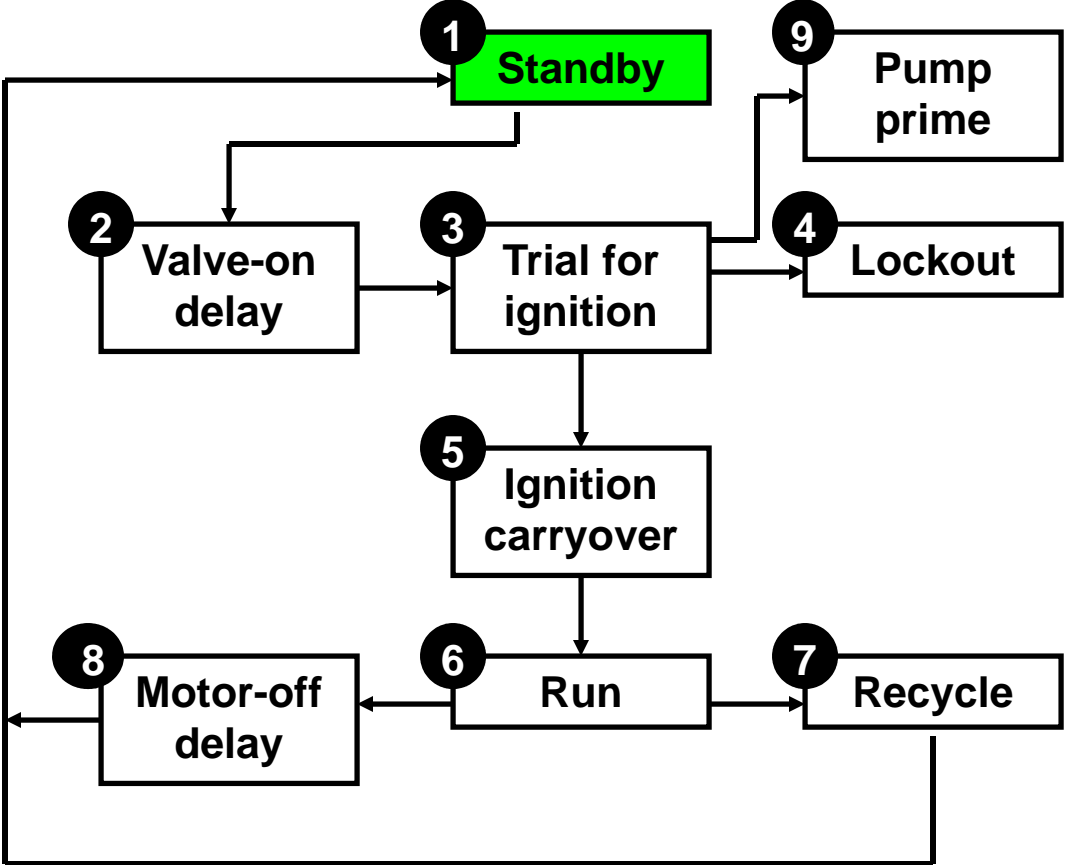


**THIS QUICK TUTORIAL  
WILL GUIDE YOU  
THROUGH THE STEPS  
ON THE GENISYS  
SEQUENCE OF  
OPERATION**

- Standby

The burner is idle, waiting for a call for heat. When a call for heat is initiated, there is a 1/2 second delay while the control performs a safe start check.

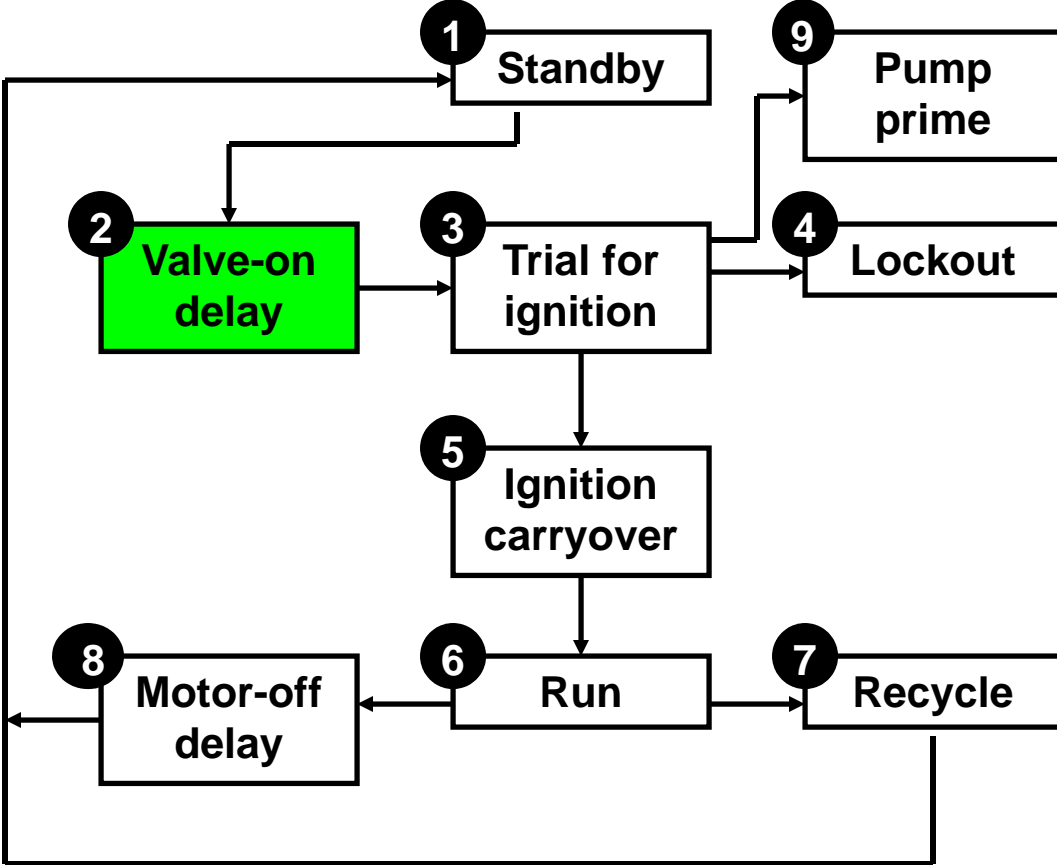


- Valve-on delay (prepurge)

The igniter and motor are on while the oil solenoid valve remains de-energized.

Typically 15 seconds.

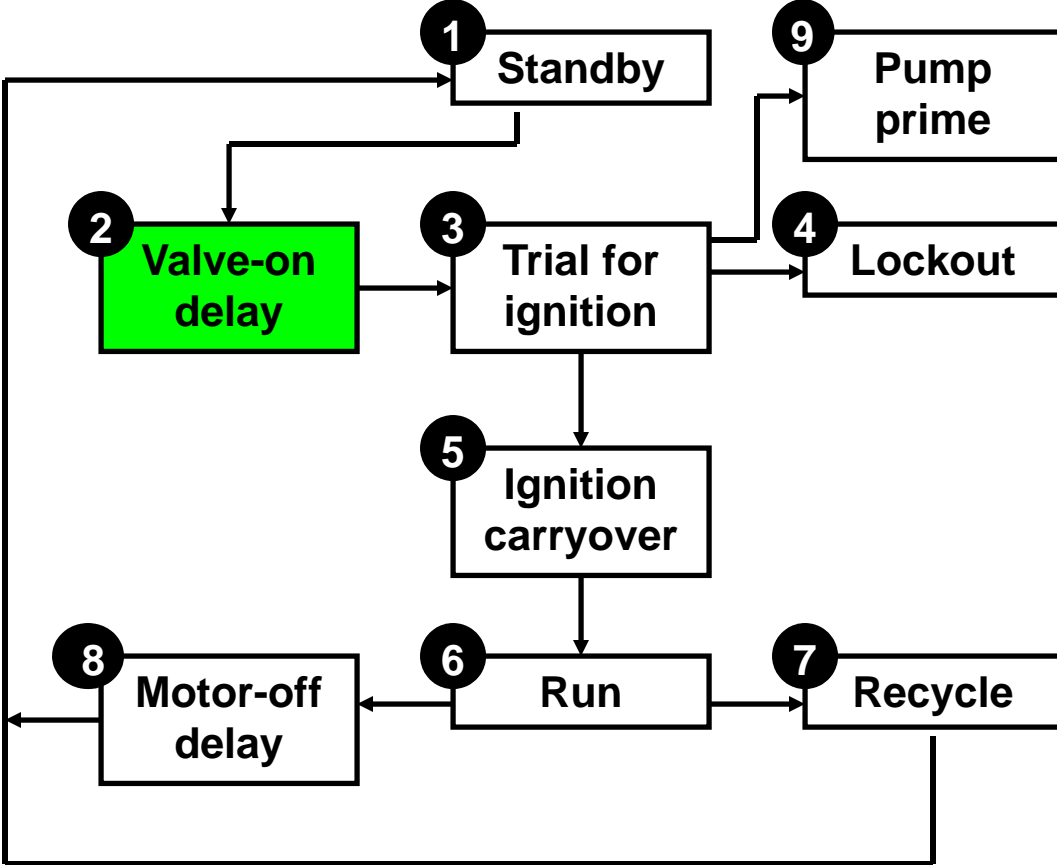
Allows the burner to establish air flow and brings the pump to full speed, helping to keep ignitions smooth and clean.



- Valve-on delay (prepurge)

If the cad cell detects flame at the end of the Valve-On Delay mode, the control goes into the lockout mode.

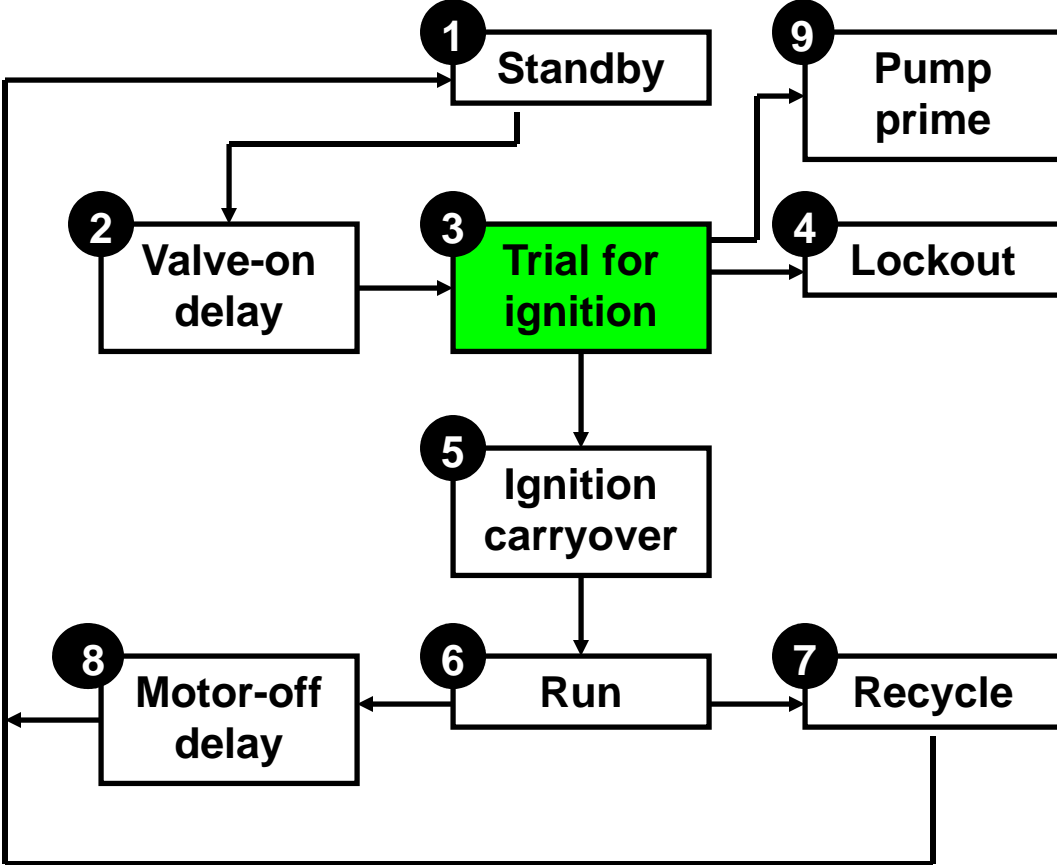
This is to detect a failure of a fuel valve.



- Trial for ignition

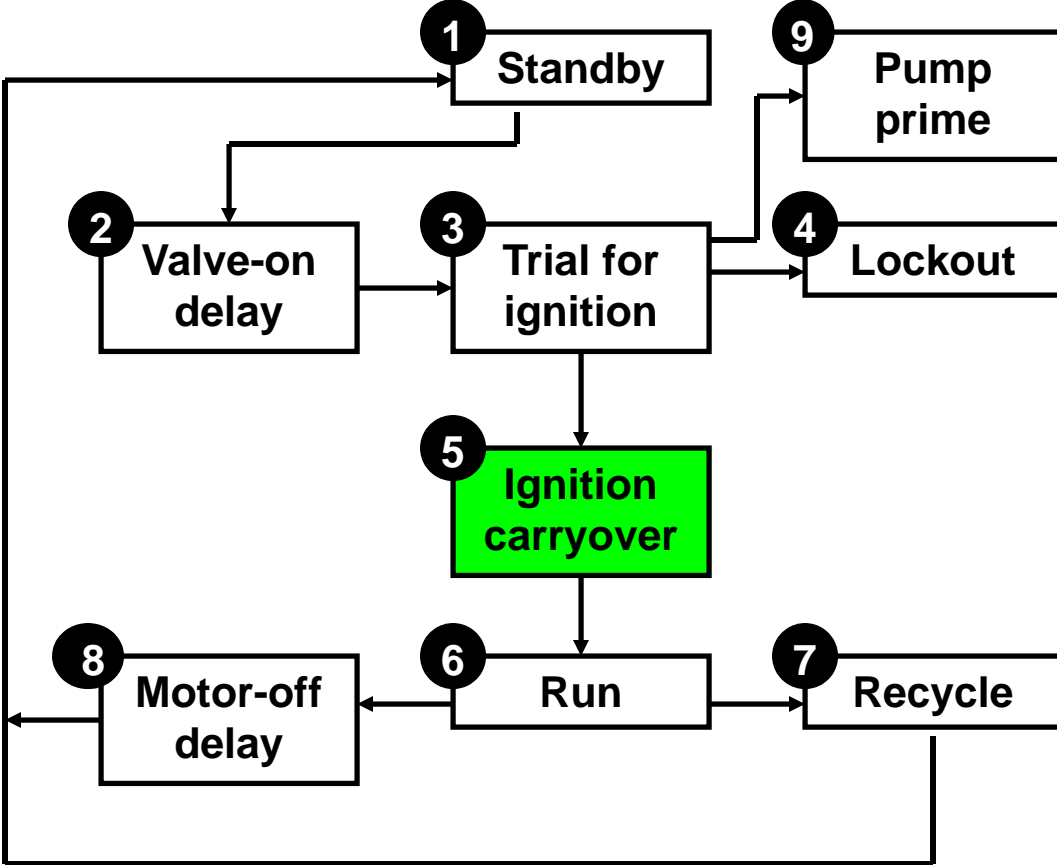
The oil solenoid valve is energized. A flame should be established within the factory set trial for ignition time (also known as “lockout time”)

15 seconds on the GeniSys control.



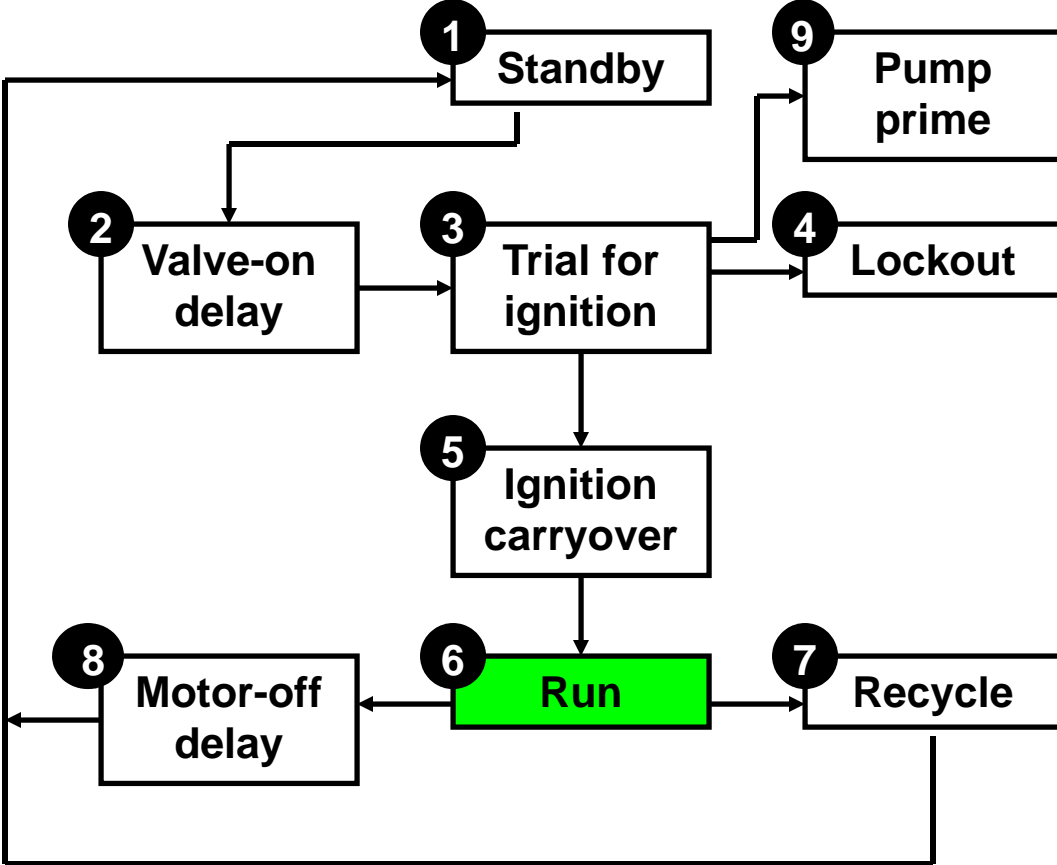
- Ignition carryover

Once flame is established, the igniter remains on for 10 additional seconds to ensure flame stability before shutting off.



- Run

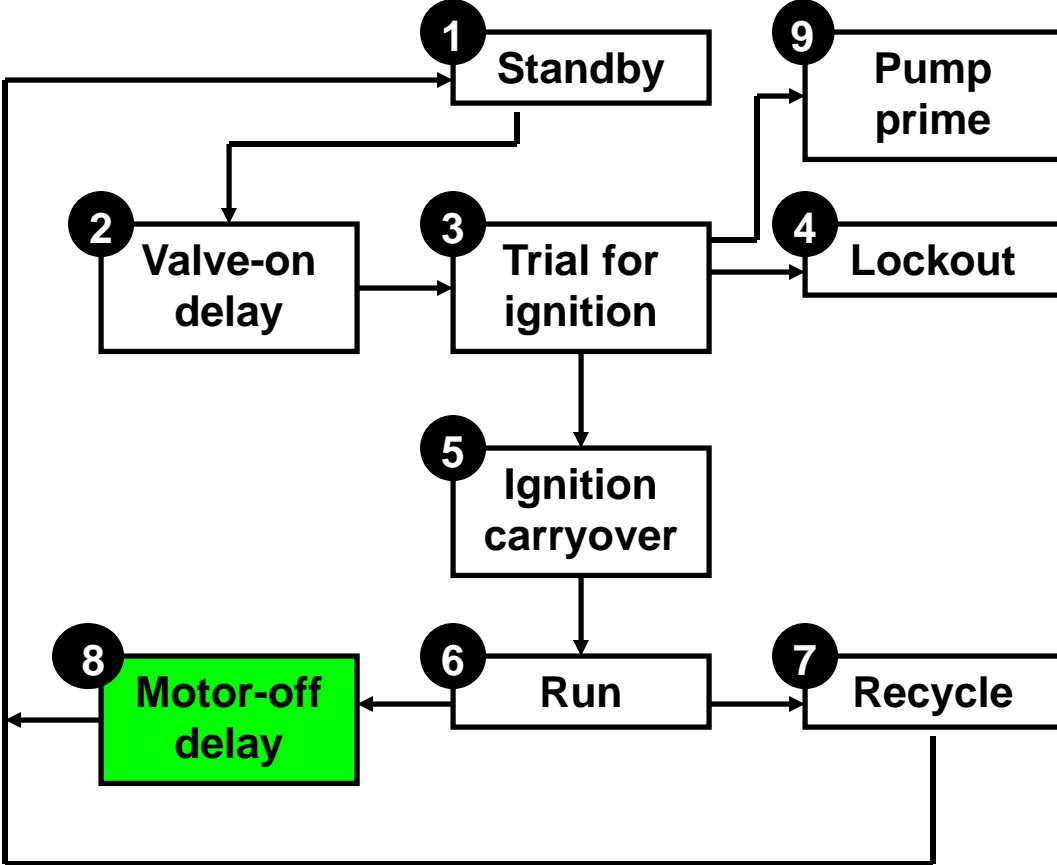
The flame is sustained until the call for heat is satisfied or a safety limit shuts down the burner.



- Motor-off delay (postpurge)

If applicable, the oil solenoid valve is de-energized and the motor continues to run for the preset motor-off delay time.

Cools the nozzle to prevent afterdrip, and expels fumes and combustions gasses from the appliance.

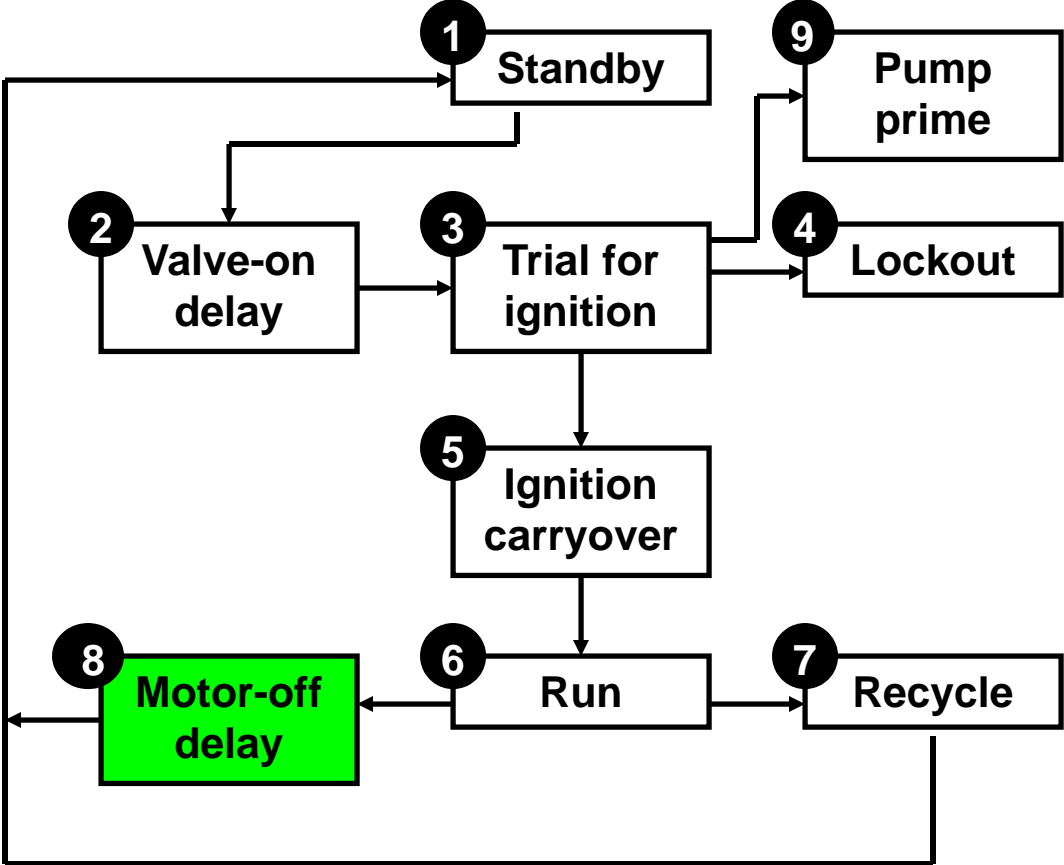




- Motor-off delay (postpurge)

If the cad cell detects flame in the Motor- Off Delay mode, the control goes into the standby mode.

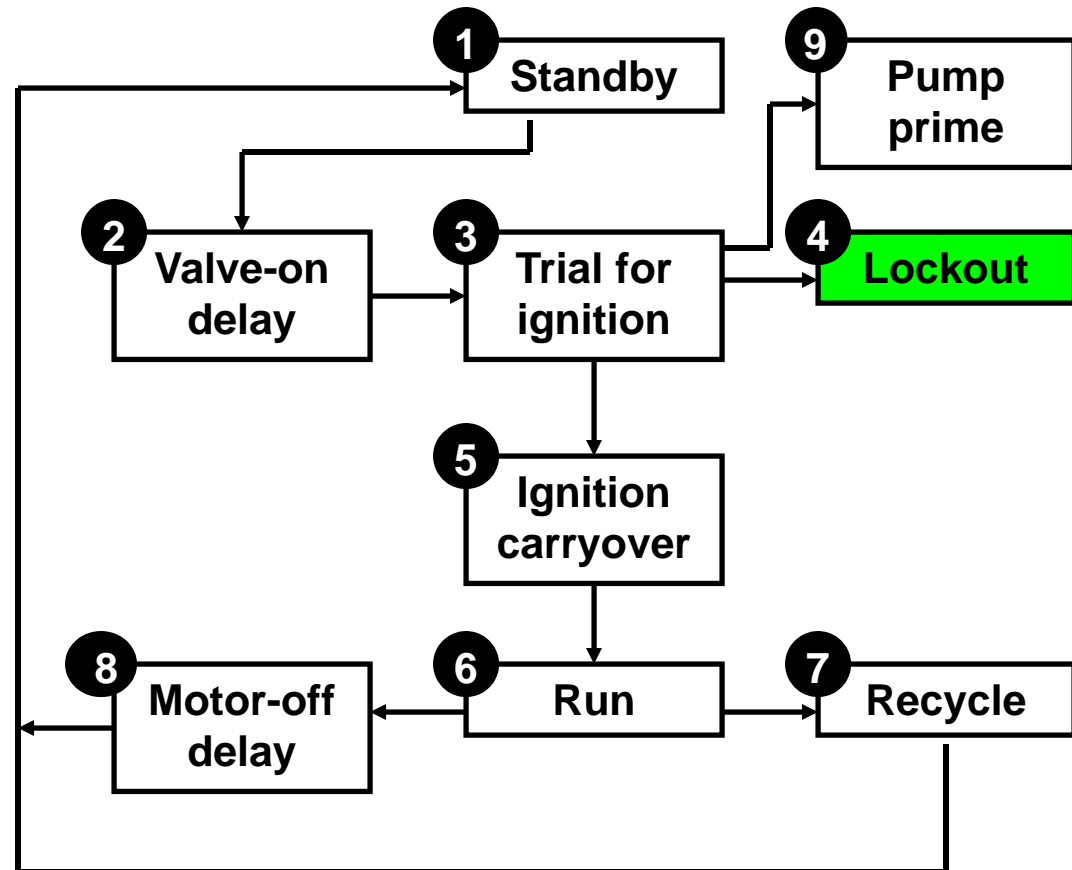
This is to prevent a failed fuel valve from keeping the flame burning.



## • Lockout

The control has shut down the burner for one of the following safety reasons:

- Trial for ignition (lockout) time expires without flame being established.
- Cad cell detects flame at the end of valve-on delay.
- Recycle time budget expires.
- Relay check failure
- You can **not** reset the control by interrupting line voltage.

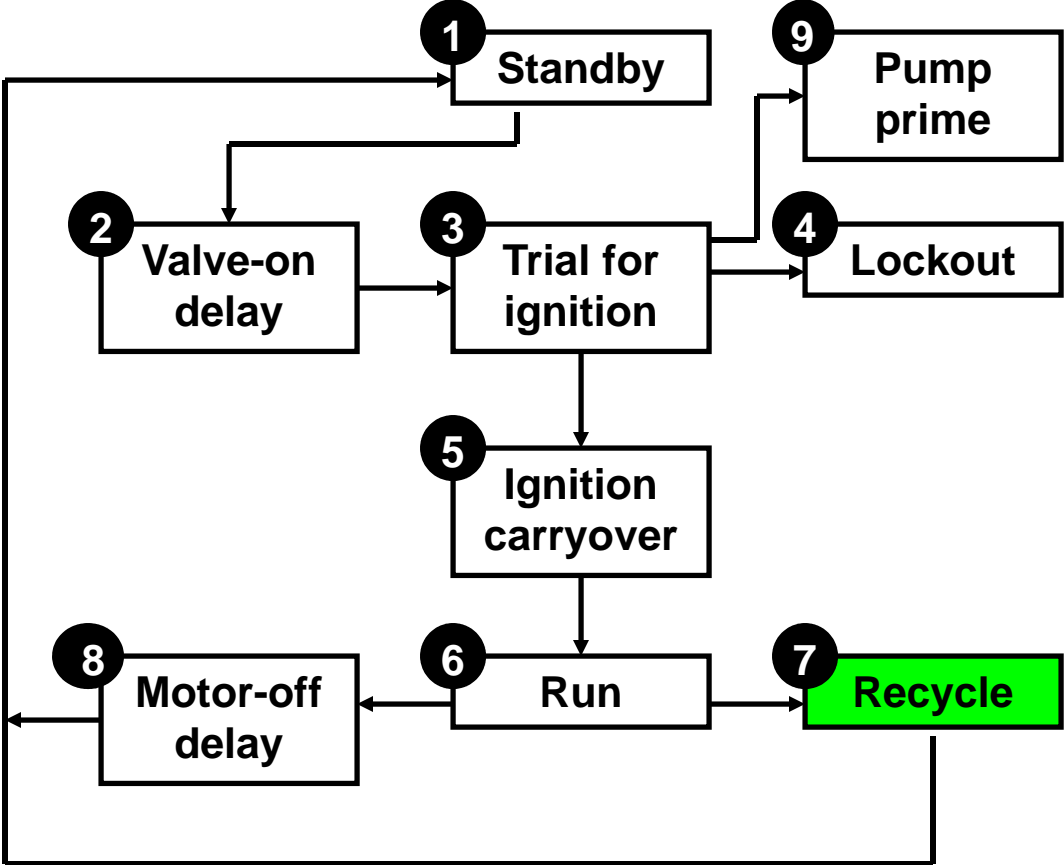


- Recycle

If flame is lost during Run mode, the control shuts down the burner for 60 seconds and then attempts to ignite the burner.

The amount of recycling is limited to prevent excessive accumulation of oil in the appliance firing chamber.

You can remove the control from the 60 second Recycle mode by holding the reset button for 1 second. The control will return to Standby mode.



- Pump prime

- The igniter and motor are on for 4 minutes, and the cad cell is disregarded. This allows the technician to prime the pump without having to jumper the cad cell.
- Terminate the call for heat and the control will exit the pump prime mode and resume normal operation.
- You can remove the control from the Pump prime mode by holding the reset button for 1 second. The control will return to Standby mode.

