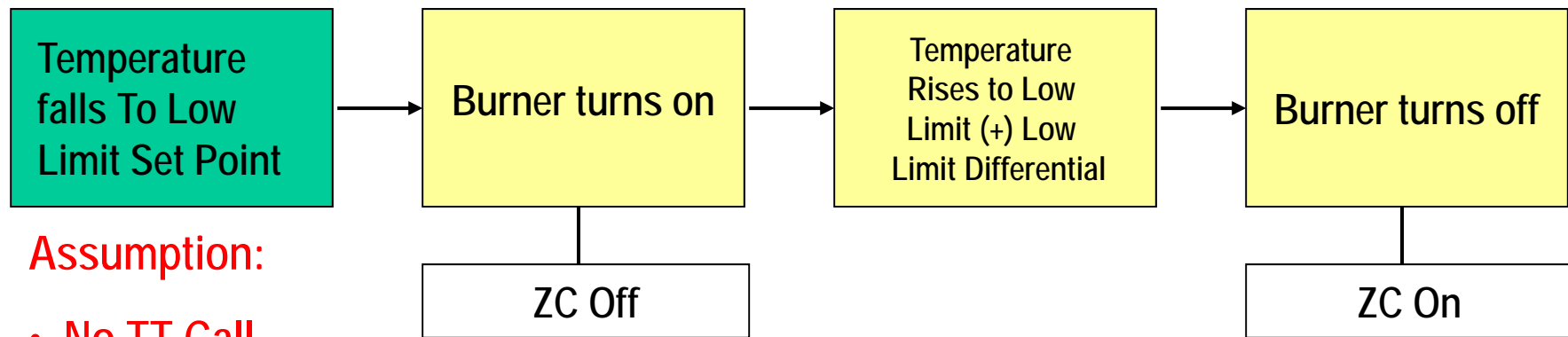


**THIS QUICK TUTORIAL
WILL GUIDE YOU
THROUGH THE STEPS
ON LIMIT OPERATION
ON THE AQUASMART
CONTROL**

Operation: Maintaining *Low Limit* *Boilers with tankless coils*

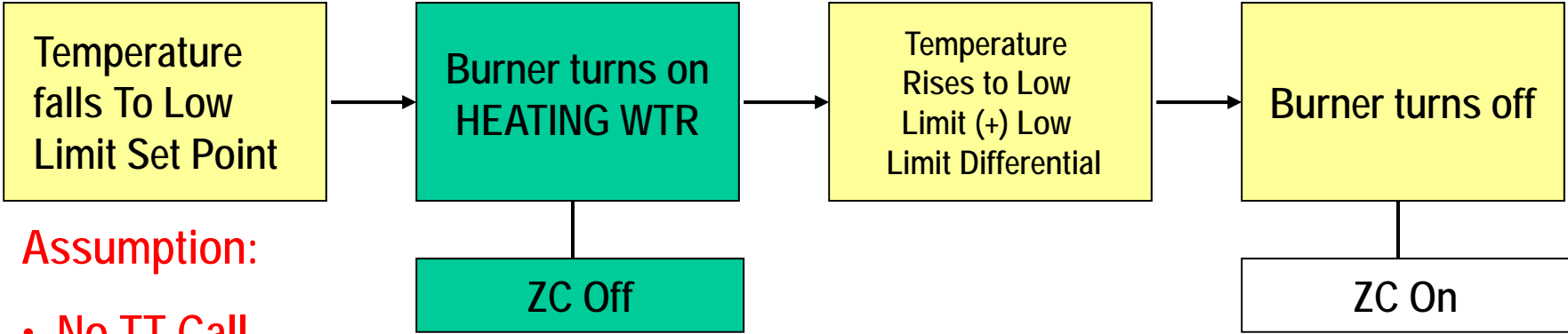


Assumption:

- No TT Call
- LOW LIMIT SET 140 F
- LOW DIFF 10 F

During the OFF cycle with no call for heat, the burner is turned on at 140° to maintain the boiler water temperature and is shut off at 150° (140°+10°).

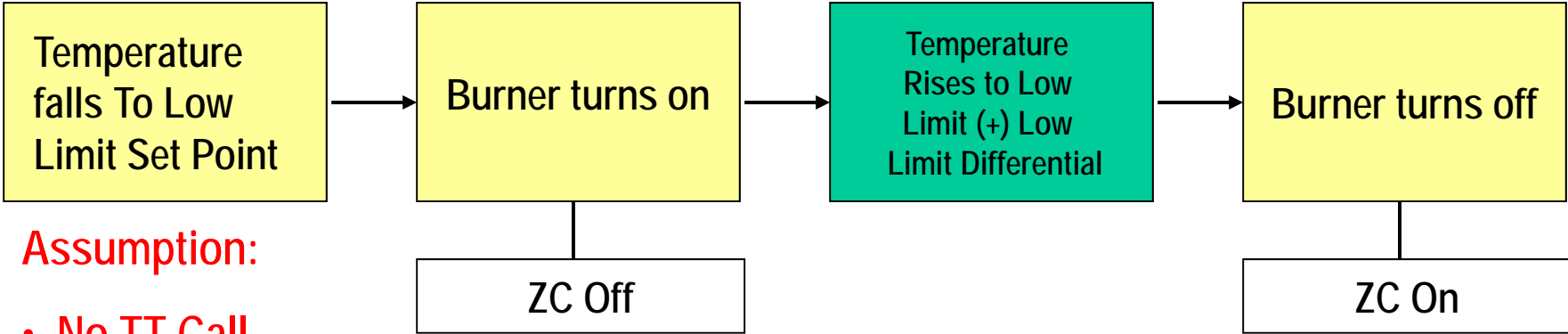
Operation: Maintaining *Low Limit* *Boilers with tankless coils*



Assumption:

- No TT Call
- LOW LIMIT SET 140 F
- LOW DIFF 10 F

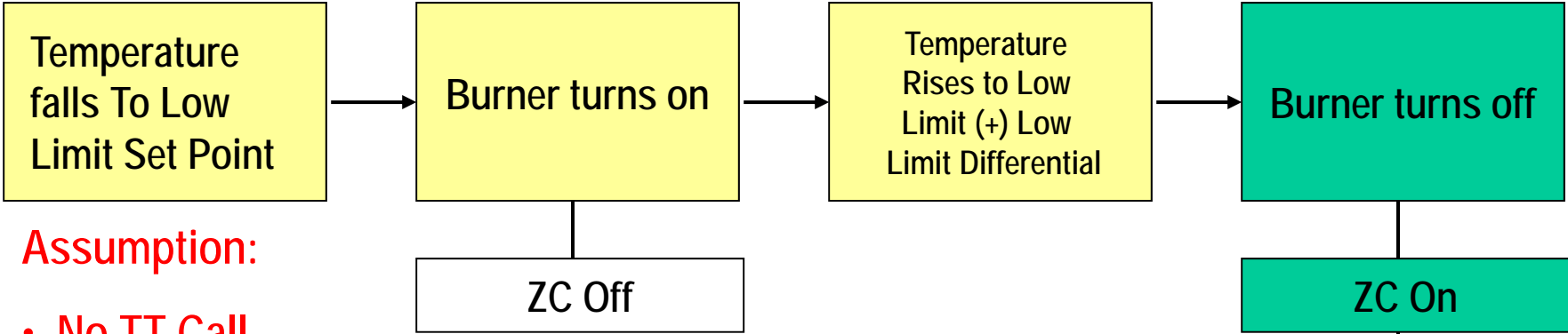
Operation: Maintaining *Low Limit* *Boilers with tankless coils*



Assumption:

- No TT Call
- LOW LIMIT SET 140 F
- LOW DIFF 10 F

Operation: Maintaining *Low Limit* Boilers with *tankless coils*

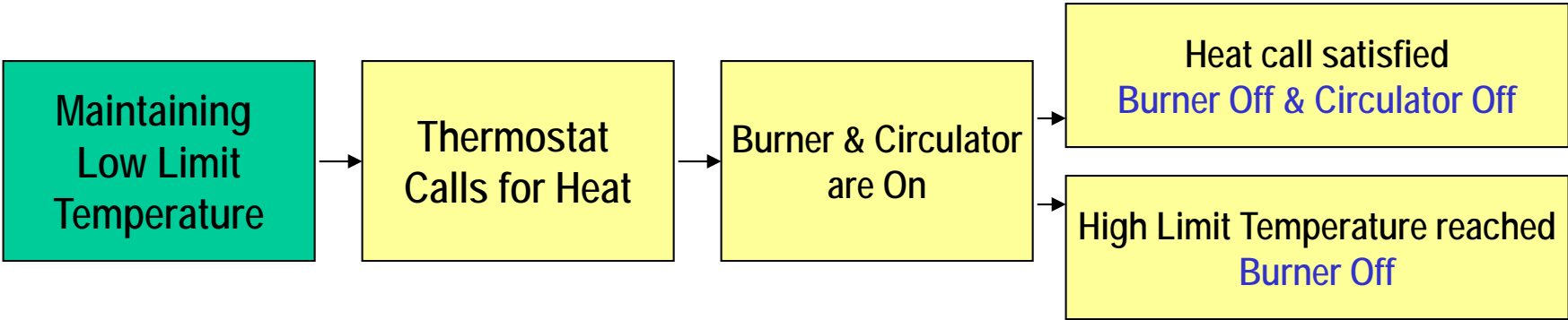


Assumption:

- No TT Call
- LOW LIMIT SET 140 F
- LOW DIFF 10 F



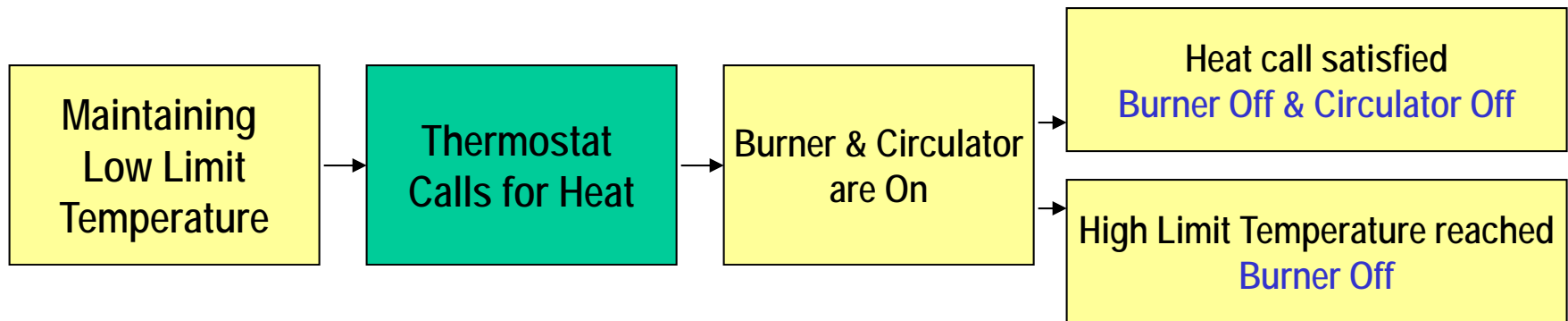
Operation: *Call For Heat*



Assumptions:

- Above low limit settings
- Ignore circulator delays and HeatManager adjustments

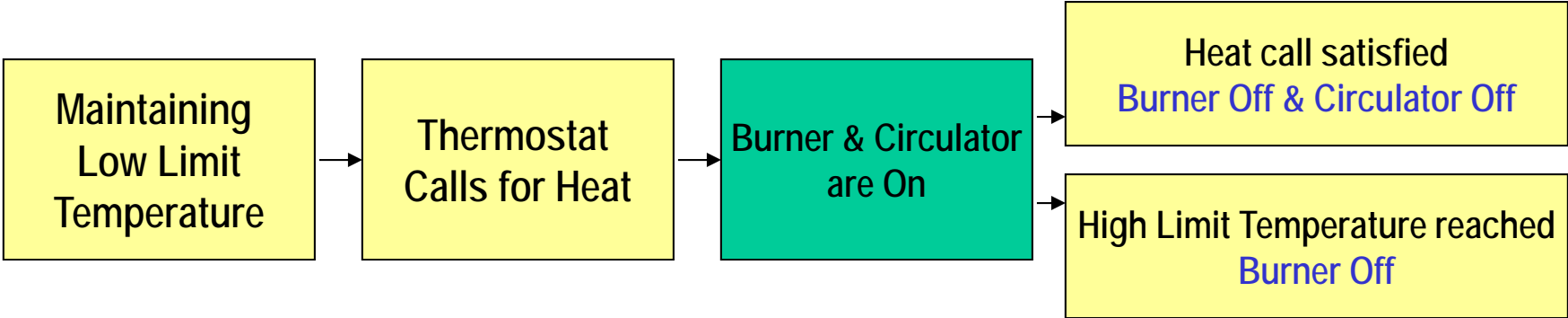
Operation: *Call For Heat*



Assumptions:

- Above low limit setting
- Ignore circulator delays and HeatManager adjustments

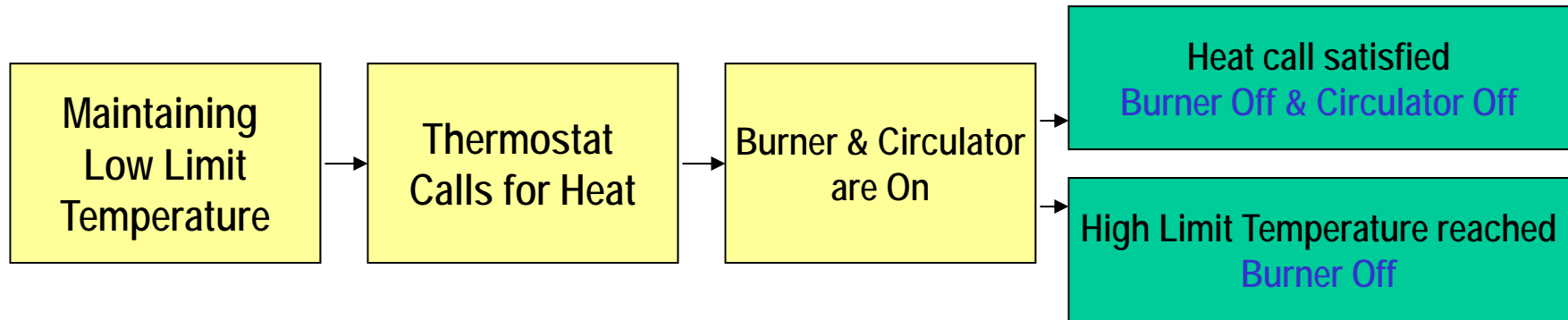
Operation: *Call For Heat*



Assumptions:

- Above low limit setting
- Ignore circulator delays and HeatManager adjustments

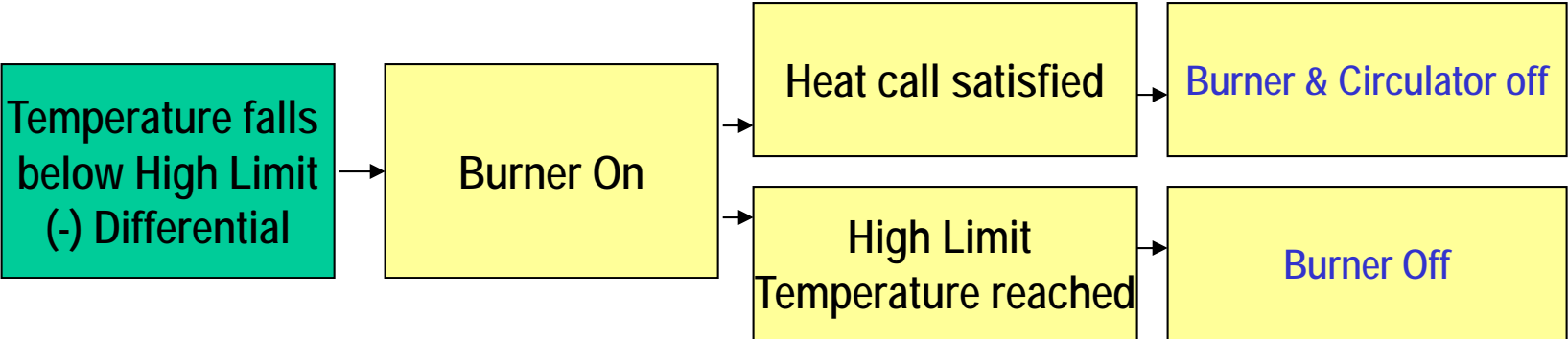
Operation: *Call For Heat*



Assumptions:

- Above low limit setting
- Ignore circulator delays and HeatManager adjustments

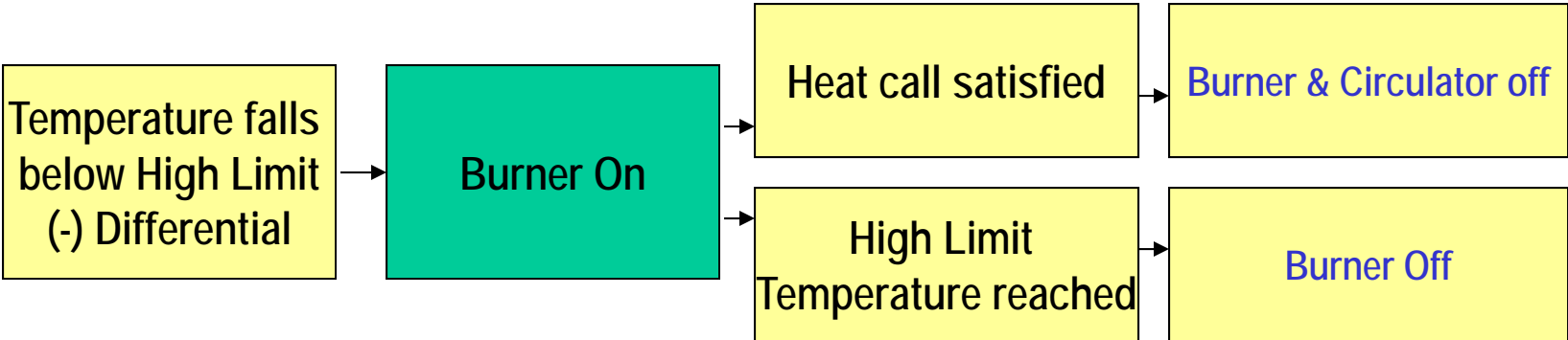
Operation: *Maintaining High Limit*



Assumption:

- Ignore circulator delays and HeatManager adjustments
- Call for heat

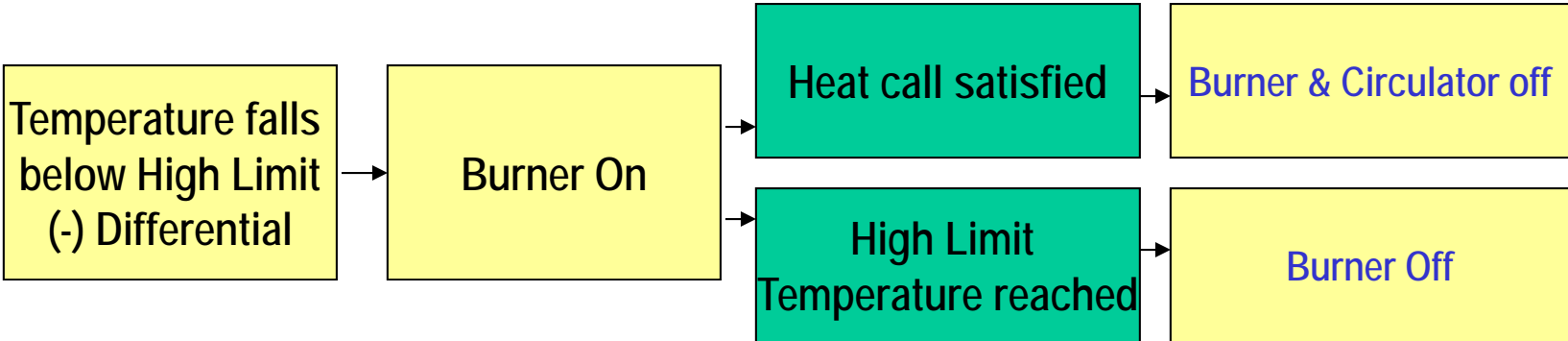
Operation: *Maintaining High Limit*



Assumption:

- Ignore circulator delays and HeatManager adjustments
- Call for heat

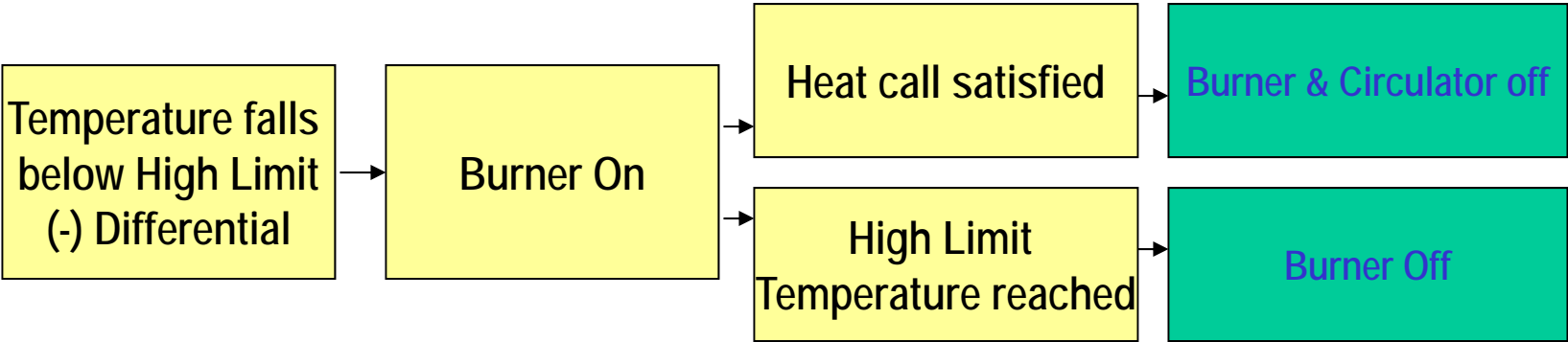
Operation: *Maintaining High Limit*



Assumption:

- Ignore circulator delays and HeatManager adjustments
- Call for heat

Operation: *Maintaining High Limit*



Assumption:

- Ignore circulator delays and HeatManager adjustments
- Call for heat