



Table 1 – Burner Specifications

Input Firing Rate ❶	80,000 - 250,000 BTU/hr.
Firing Mode	On-Off Only
Fuel	Natural gas - 0.64 specific gravity LP gas - 1.53 specific gravity
Required Input Gas Supply Pressure	4.5" WC minimum 14" WC maximum
Input Voltage ❷	120 Vac + 10% / -15%; 60 Hz
Input Current	2.75 A (Run); 12.0 ALR
Gas Valve	24 Vac Dual Seat with integral regulator set to 3.5" WC for both natural gas and LP
Burner Control	Beckett 7590D Direct Ignition
Flame Detection	Flame Rectification
Igniter	Beckett 7474001 Gas Igniter
Motor	1/7 Hp; PSC
Combustion Air Proving	Differential Pressure Switch
Weight	55 lbs.
Mounting Orientation	Up to 90° from upright with motor shaft horizontal
Dimensions	10.3" x 13.1" x 15.8"
Acceptable Ambient Temperature Range	-40°F to 150°F
Acceptable Ambient Humidity	5% - 95% RH non-condensing

❶ For altitudes higher than 2,000 feet, derate the burner capacity 4% for each 1,000 feet above sea level.

❷ Burner is not approved for use in 50 Hz applications.

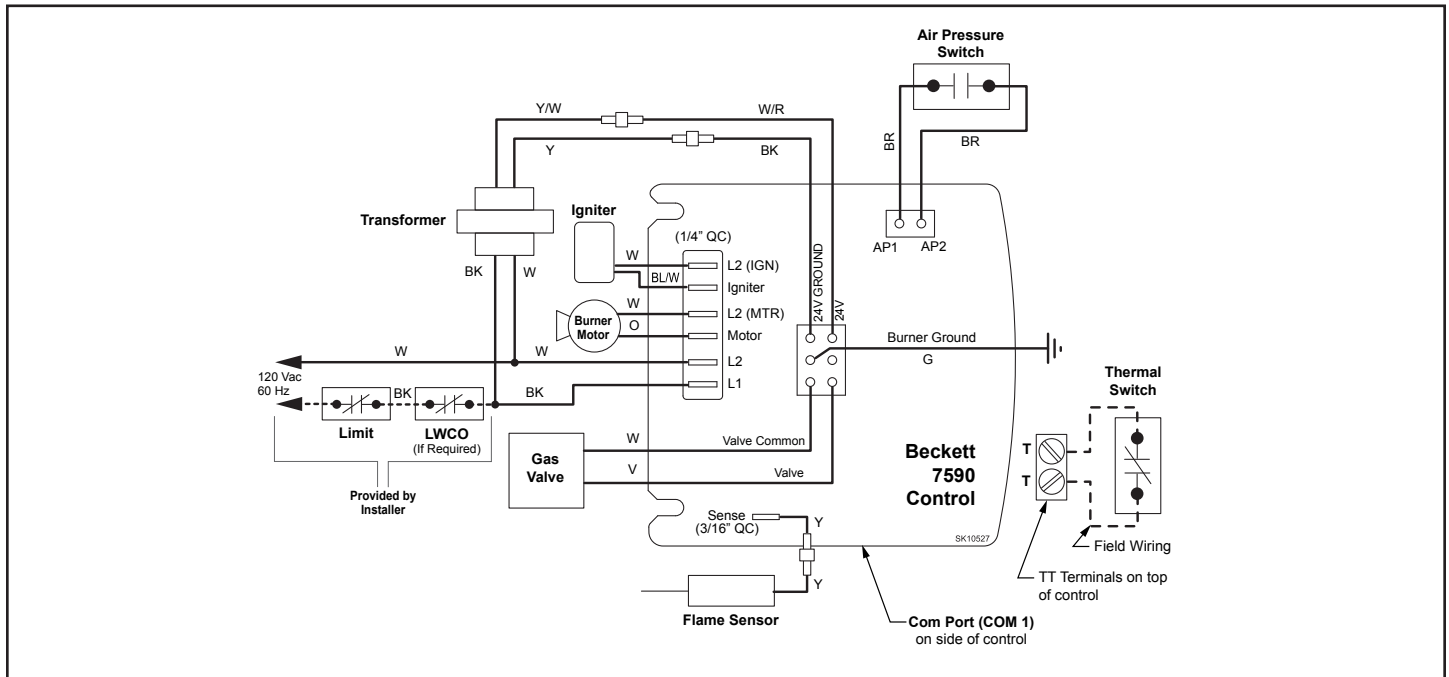
Firing Rates and Orifices*				
Fixed Head	Firing Rate MBH	NG Orifice	LP Orifice	Manifold psi inches W.C.
F3 G	80	0.219	0.166	3.5
	90	0.234	0.177	3.5
	100	0.250	0.189	3.5
	110	0.277	0.206	3.5
	120	0.316	0.219	3.5
	130	0.364	0.234	3.5
	140	n/a	0.242	3.5
F4 G	130	0.281	0.217	3.5
	140	0.316	0.234	3.5
	155	0.348	0.246	3.5
	170	0.406	0.261	3.5
	180	n/a	0.281	3.5
F6 G	180	0.332	0.246	3.5
	190	.0354	0.256	3.5
	205	0.377	0.266	3.5
	220	0.422	0.281	3.5
	235	0.484	0.295	3.5
	250	n/a	0.312	3.5

*See manual for full configuration and initial settings.

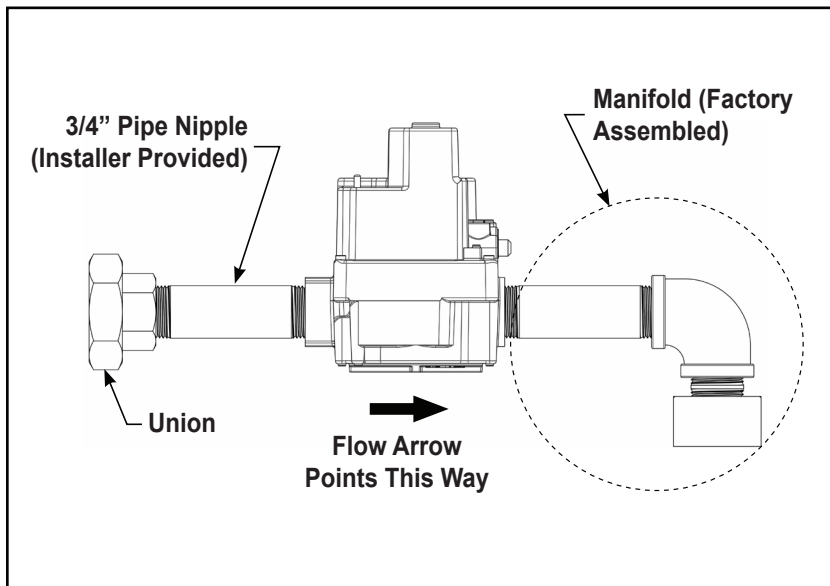
The settings in this chart are for reference only. The actual conditions at the installation may require further adjustment by the fully qualified and experienced start-up technician.



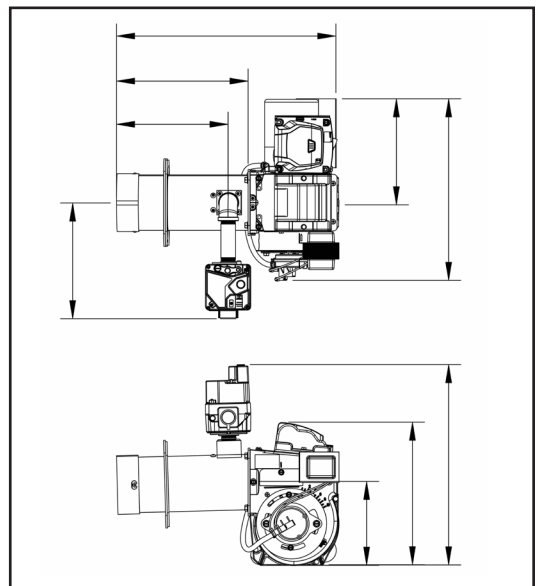
Typical CG4 Wiring (Boiler Applications)



Gas Train Assembly

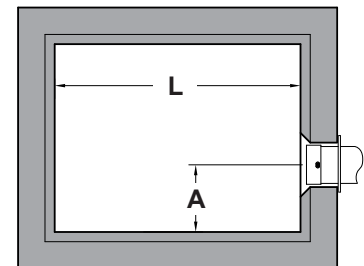
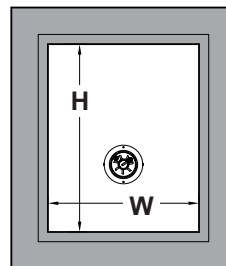


Burner Overall Dimensions (inches)



Combustion Chamber Dimensions (minimum in inches)

Firing Rate MBH	Rectangular		Horizontal Cylinder I. D.	Length (L)	Floor to Tube (A)
	Width (W)	Height (H)			
80	8	8	9	13	4
105	9	9	10	13.5	4.5
140	10.5	10.5	12	14	5.3
175	11.5	11.5	13	14.5	5.8
210	13	13	14.5	15	6.5
250	15	15	16	16	7.5



NOTICE

Please reference CG4 manual for complete instructions and warnings.