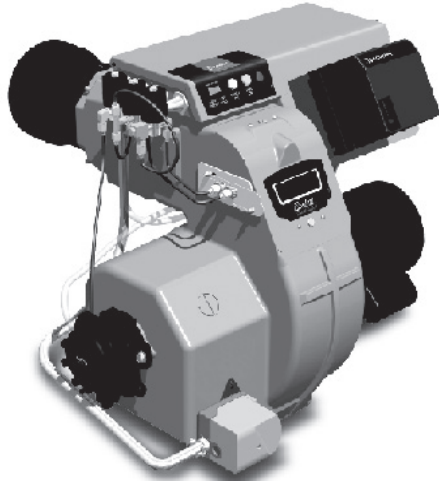
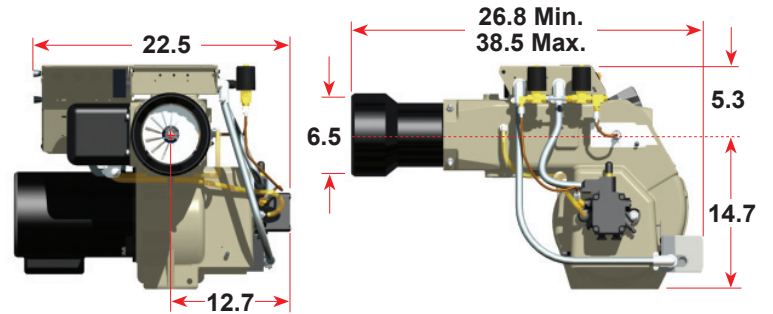


BECKETT CF2500

COMMERCIAL OIL BURNER



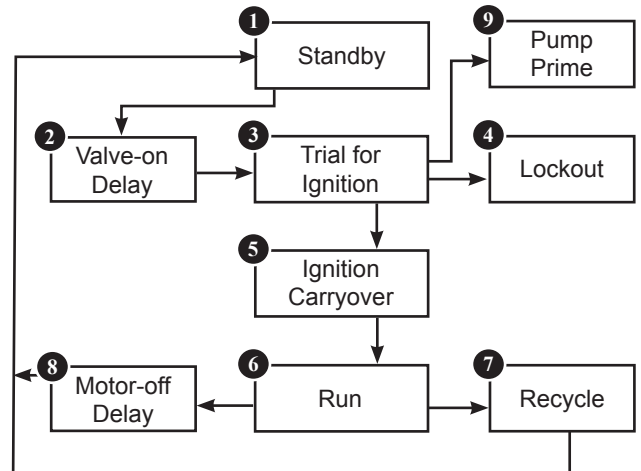
Overall Dimensions



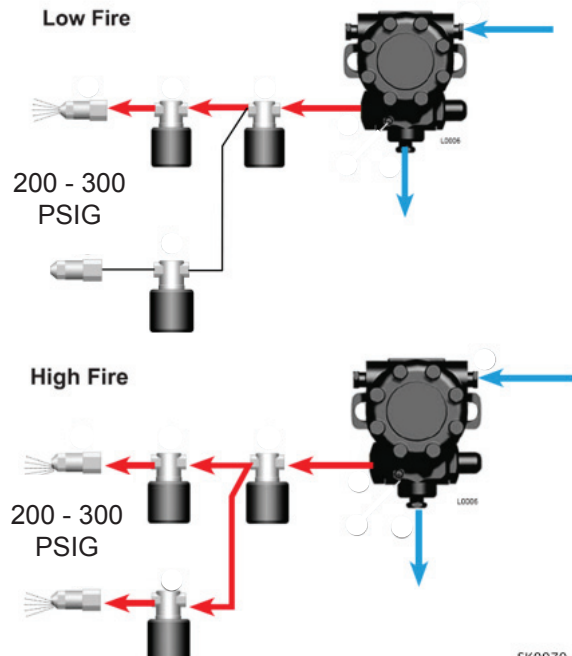
Specifications

Fuels	U.S. #1 or #2 heating oil only (ASTM D396) Canada #1 stove oil or #2 furnace oil only
	CAUTION DO NOT USE GASOLINE, CRANKCASE OIL, OR ANY OIL CONTAINING GASOLINE.
Firing Range	CF2500A - 17.0 to 19.9 gph CF2500 - 17.0 to 25.0 gph
Motor	2 HP 3450 rpm 208/230/60 Hz Standard 13.4 amps @ 230 VAC Optional Voltages: 208, 230, 480, 575 VAC/3-PH, 50 or 60 Hz
Ignition Trans.	Continuous Duty, 120V/12,000V
Housing	Cast aluminum
Fuel Unit	100 to 300 psig
Oil Nozzle	45° to 70° Solid

Typical Burner Sequence of Operation - 7505



Two-pipe Oil Flow

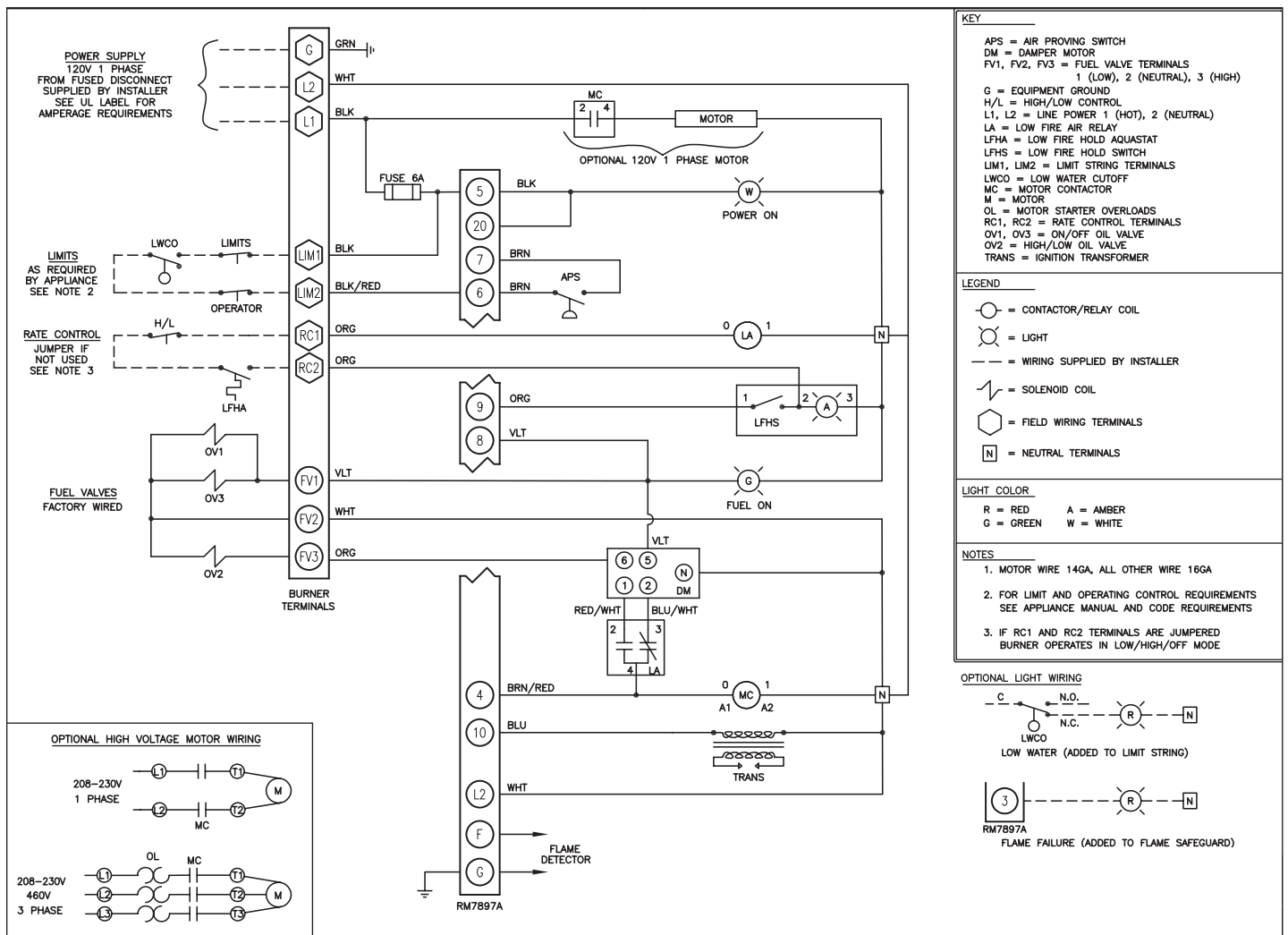


Features

S - Standard	O - Optional	N/A - Not Available
On/Off		N/A
Linkageless Low/High/Low or Low/High/Off		S
Air Proving Switch		S
Direct Spark Ignition of Main Flame		S
Flame Safeguard with UV Sensor or Light Sensor	O	
Customized Electrical Cabinet	O	
UL/CUL - CSD1 - XL GAPS ¹		S
FM	O	
IRI (old standard)		O

SK9979

Typical Wiring (Honeywell RM7897A control)



Combustion Chamber Dimensions

Firing Rate (gph)	Minimum Dimensions	
	A	L
17	10.5"	48.0"
22	11.5"	58.0"
27	12.5"	66.0"
32	12.5"	73.0"
35	13.0"	77.0"

