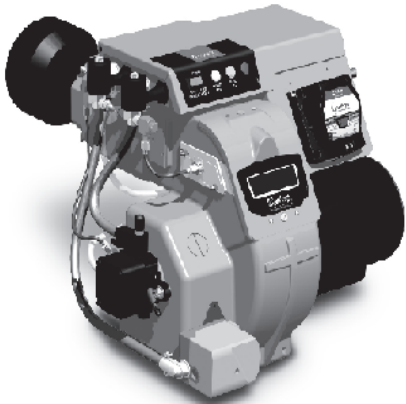
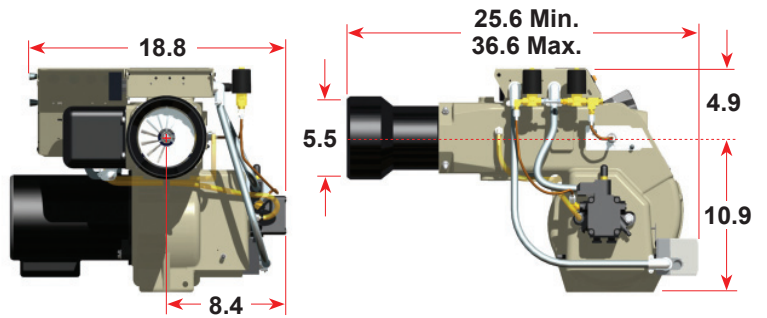


BECKETT CF1400

COMMERCIAL OIL BURNER



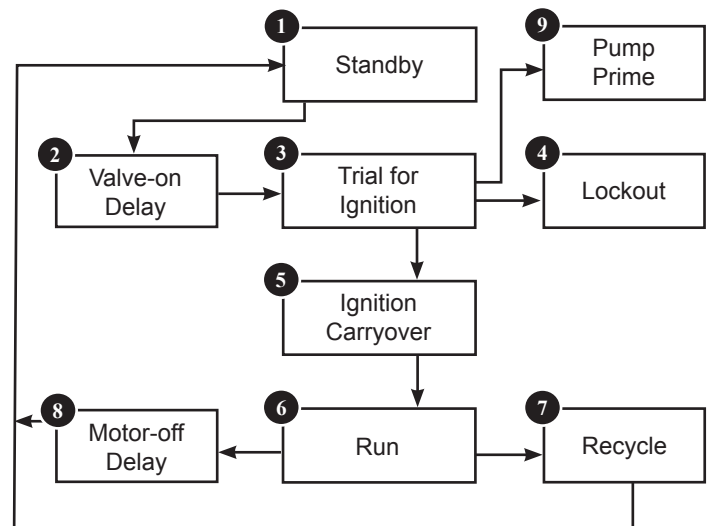
Overall Dimensions



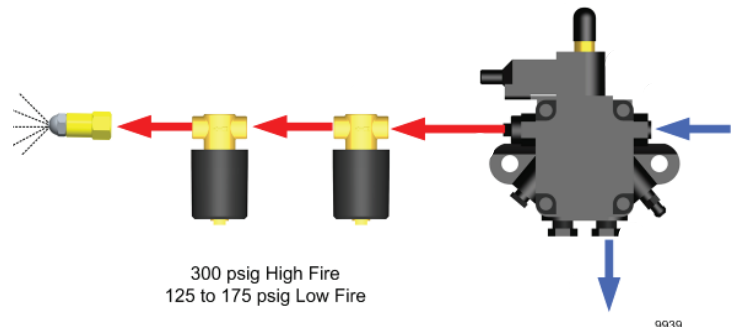
Specifications

Fuels	U.S. #1 or #2 heating oil only (ASTM D396) Canada #1 stove oil or #2 furnace oil only
	CAUTION DO NOT USE GASOLINE, CRANKCASE OIL, OR ANY OIL CONTAINING GASOLINE.
Firing Range	CF1400 - 4.0 to 13.6 gph CF2300 - 7.0 to 19.9 gph
Motor	CF1400: 1/2 HP 3450 rpm 120/60 Hz Standard 6.5 amps @ 120 VAC CF2300: 3/4 HP 3450 rpm 120/60 Hz Standard 12.5 amps @ 120 VAC Optional Voltages (CF1400 & CF2300): 240 VAC/1-PH, 208, 240, 480 VAC/3-PH, 50 or 60Hz
Ignition Trans.	Continuous Duty, 120V/12,000V
Housing	Cast aluminum
Fuel Unit	100 to 300 psig
Oil Nozzle	45° to 70° Solid

Typical Burner Sequence of Operation - 7505



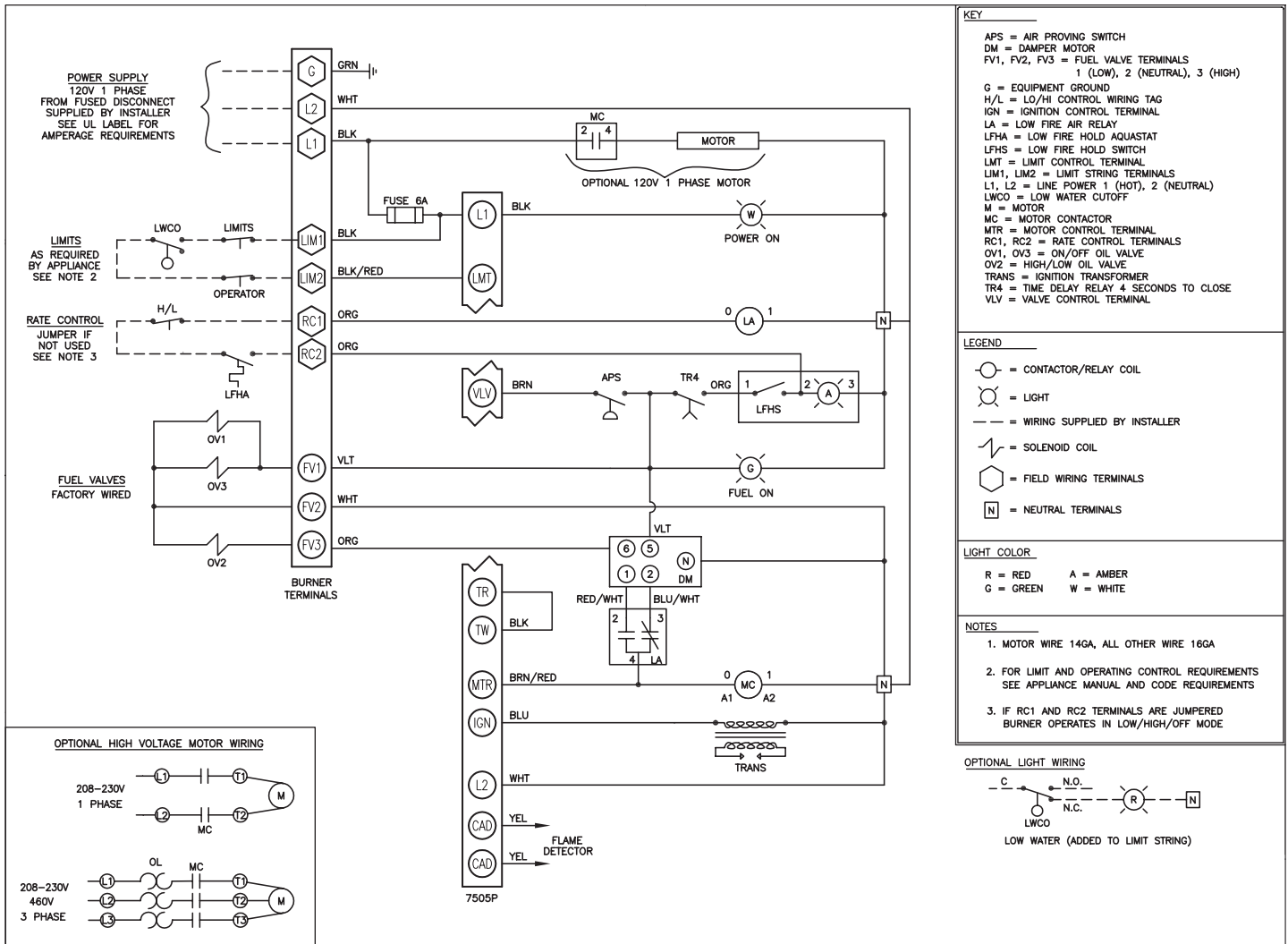
Two-pipe Oil Flow System



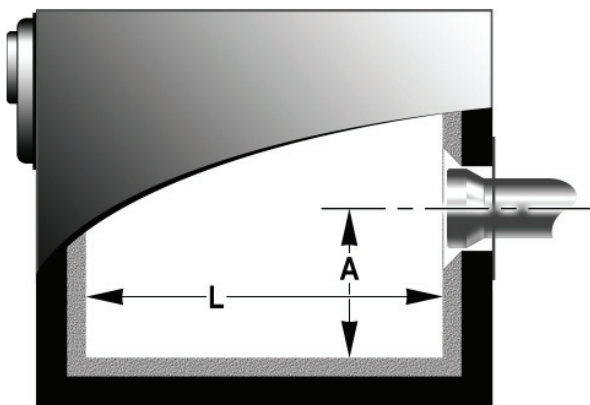
Features

	S - Standard	O - Optional	N/A - Not Available
On/Off			N/A
Linkageless Low/High/Low or Low/High/Off	S		
Air Proving Switch	S		
Direct Spark Ignition of Main Flame	S		
Flame Safeguard with UV Sensor or Light Sensor		O	
Customized Electrical Cabinet		O	
UL/CUL - CSD1 - XL GAPS ¹	S		
FM		O	
IRI (old standard)		O	

Typical Wiring (GeniSys 7505P control)



Combustion Chamber Dimensions



1405

Firing Rate (gph)	Minimum Dimensions			
	Refractory Lined		Wet-based Boilers	
	A	L	A	L
0 to 5	7.0"	25.0"	7.0"	25.0"
5 to 10	8.0"	35.0"	8.0"	40.0"