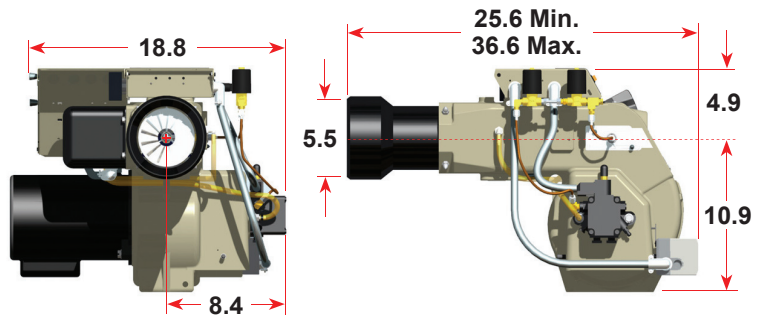


BECKETT CF1000

COMMERCIAL OIL BURNER



Overall Dimensions

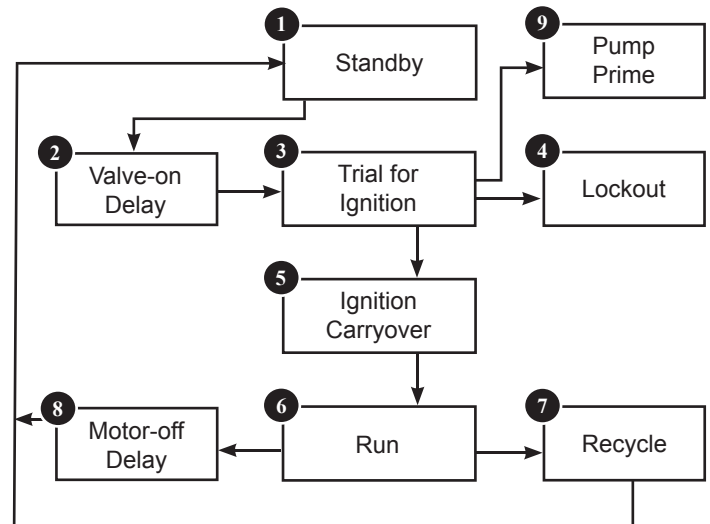


*Illustration shown above is a CF1400. The CF1000 has identical dimensions.

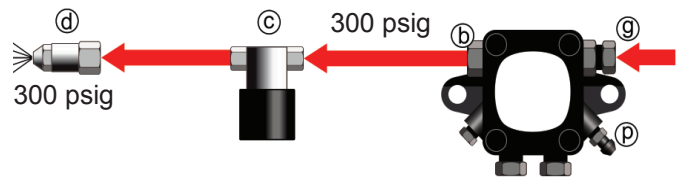
Specifications

Fuels	U.S. #1 or #2 heating oil only (ASTM D396) Canada #1 stove oil or #2 furnace oil only CAUTION DO NOT USE GASOLINE, CRANKCASE OIL, OR ANY OIL CONTAINING GASOLINE.
Firing Range	4.0 to 10.0 GPH
Motor	½ HP 3450 RPM 120/60 Hz standard 6.5 amps @ 120 VAC Optional voltages: (60 Hz or 50 Hz) • 240 VAC/1-PH • 208/240/480 VAC/3-PH
Ignition Trans.	Continuous Duty, 120V/12,000V
Housing	Cast aluminum
Fuel Unit	100 - 300 PSIG
Oil Nozzle	45° - 70° solid
Shipping Weight	75 lbs.
Dimensions	See Figure 8 .

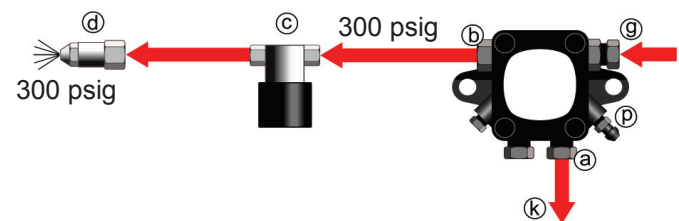
Typical Burner Sequence of Operation - 7505



One-pipe Oil Flow with "B" Pump



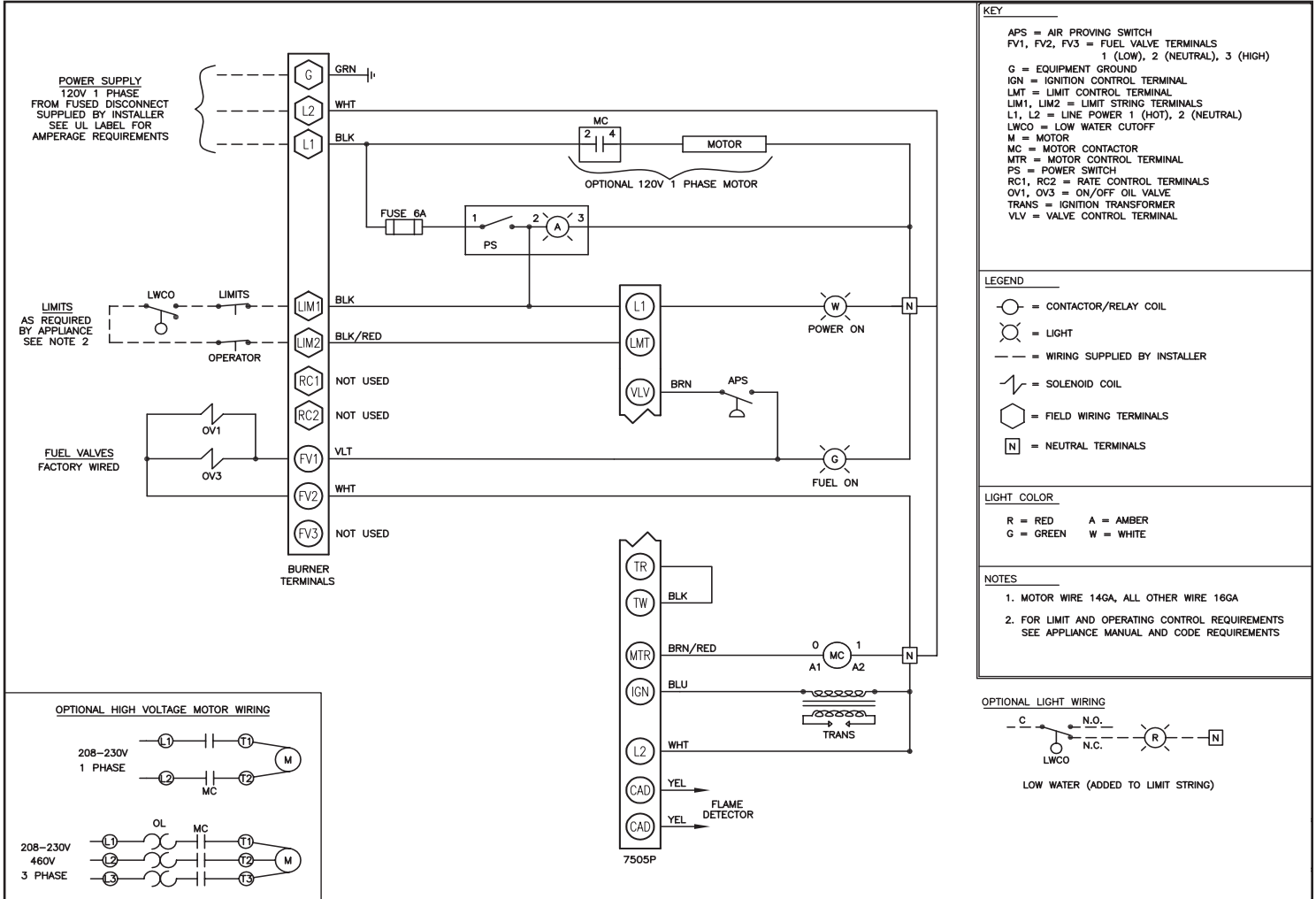
Two-pipe Oil Flow with "B" Pump



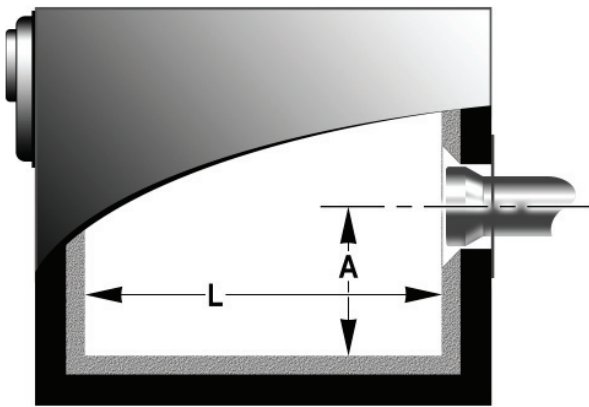
Features

	S - Standard	O - Optional	N/A - Not Available
On/Off	S		
Linkageless Low/High/Low or Low/High/Off	N/A		
Air Proving Switch	S		
Direct Spark Ignition of Main Flame	S		
Flame Safeguard with UV Sensor or Light Sensor	O		
Customized Electrical Cabinet	O		
UL/CUL - CSD1 - XL GAPS ¹	S		
FM	O		
IRI (old standard)	O		

Typical Wiring (GeniSys 7505P control)



Combustion Chamber Dimensions



1405

Firing Rate (gph)	Minimum Dimensions			
	Refractory Lined		Wet-based Boilers	
	A	L	A	L
0 to 5	7.0"	25.0"	7.0"	25.0"
5 to 10	8.0"	35.0"	8.0"	40.0"