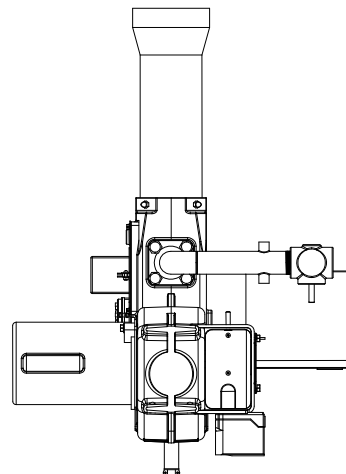
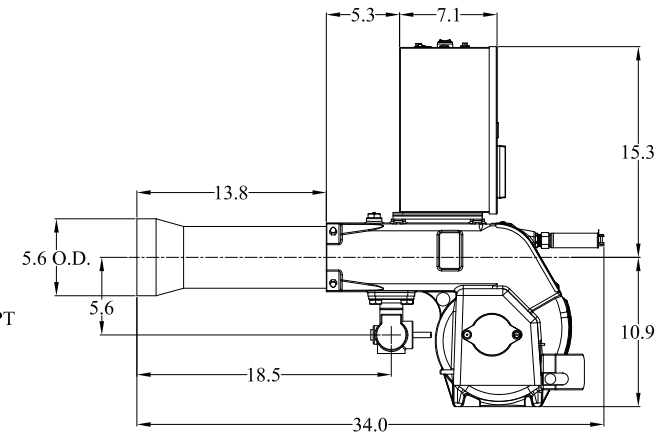
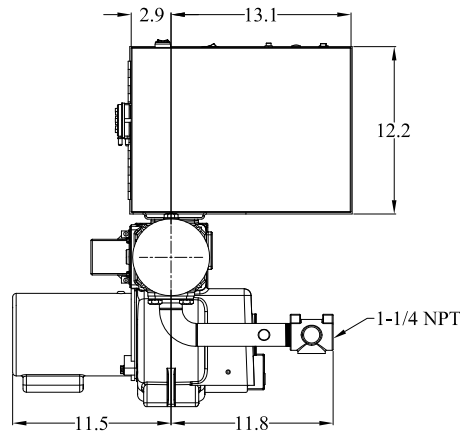
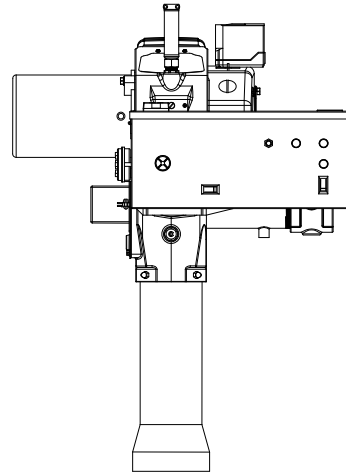
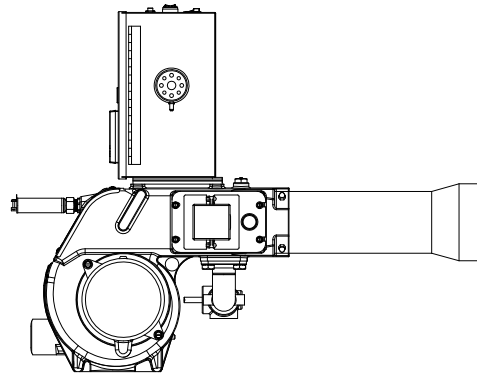
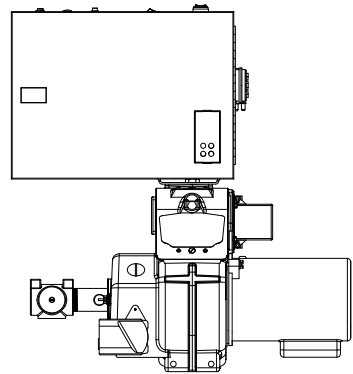


CONTROL NO.	REV.	DESCRIPTION	BY	DATE	APR
PCO-60966	0	PRODUCTION RELEASE	BPS	03/03/11	RC

DRAWING - RELEASED AND ACTIVE



NOTES:

1. FOR REFERENCE ONLY. CG15 GENERAL BURNER WITH PANEL.
2. DIMENSIONS SHOWN ARE NOMINAL. SPECIFIC BURNER DIMENSIONS MAY VARY DEPENDING ON BURNER COMPONENTS AND CONFIGURATION.
3. FOR BURNER LAYOUT WITH APPLIANCE, THE END OF THE AIR TUBE SHOULD BE SET BACK 1/4" FROM FLUSH WITH THE REFRACTORY INSIDE WALL OF THE APPLIANCE COMBUSTION CHAMBER.

<small>REFERENCE ANSI STANDARDS FOR GEOMETRIC TOLERANCES. TOLERANCES UNLESS OTHERWISE SPECIFIED: X INCHES ±0.25 X.XX INCHES ±0.030 X.XXX INCHES ±0.010 ANGLES ±1° CIRCULARITY 0.2 TIR CONCENTRICITY 0.2 TIR</small>			MATERIAL	N/A
<small>KEY CHARACTERISTICS</small>			FINISH	N/A
<small>DRAWN</small> BPS	<small>DATE</small> 12/30/10	<small>DESCRIPTION</small> CG15 BURNER LAYOUT WITH PANEL	<small>DRAWING NO.</small> 6183102	
<small>CHECKED</small> LG	<small>DATE</small> 03/04/11	<small>PURCH CODE</small> MAKE	<small>DRAWING SIZE</small> C	<small>SCALE</small> NTS
<small>APPROVED</small> RC	<small>DATE</small> 03/03/11		<small>SHEET</small> 1 OF 1	