

GENISYS® LOCKOUT ALARM

Installation Instructions



Description

The GeniSys® Control Lockout Alarm Module, Part Number 52040, is an optional plug-in accessory designed specifically for the Beckett GeniSys control. The alarm functions as the interface between the primary control and an existing alarm panel or any alarm mechanism requiring contact closure in the event of a soft or hard lockout of the GeniSys Control.

Specifications

- Maximum Alarm Module Contact Switching Current: **2 Amps (ac or dc)**
- Minimum Alarm Module Contact Switching Current: **5 mA (ac or dc)**
- Maximum Alarm Module Switching Voltage: **30V (ac or dc)**
- Minimum Alarm Module Switching Voltage: **5V (ac or dc)**
- Storage & Operating Ambient Temp: **-40°F to +1500°F (-40°C to +65°C)**
- Humidity (noncondensing & non-crystalizing): **5 to 95% RH**

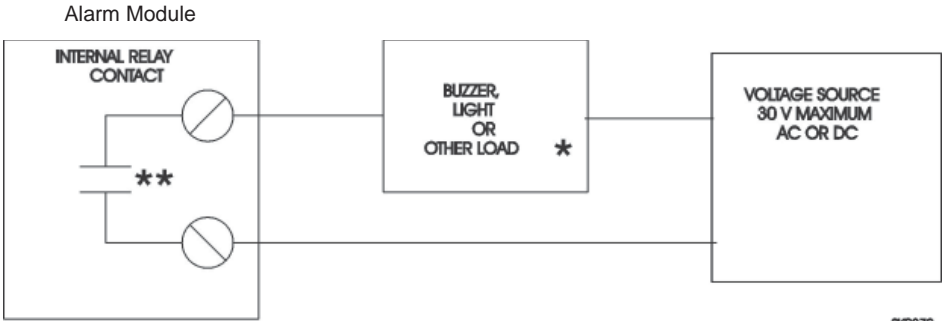
Operation

When power is applied to the primary control, the alarm module continuously monitors the GeniSys control for both a hard and soft lockout signal. If the alarm module detects either a hard or soft lockout, normally open relay contacts on the module close, creating a short circuit between the output terminals. When the alarm module no longer senses a lockout signal or power is removed from the control, the module relay contacts will open.

Installation

Install the alarm module by carefully sliding the module onto the COM 1 port located on the right side of the control. Referring to the diagram on the back page, connect the wires from an existing alarm panel in series with the two terminals on top of the module.

Typical Alarm Light or Buzzer Connection



- ** CONTACT CLOSURES ON LOCKOUT
- * MUST BE MATCHED TO POWER SUPPLY

SK9872

Typical Security Panel Connection



- ** CONTACT CLOSURES ON LOCKOUT
- *** ATTACH TO SENSOR INPUT RESPONSIVE TO CONTACT CLOSURE

SK9873

NOTICE

Possible Low Temperature Property Damage

In addition to a burner lockout, there are various reasons that could cause an HVAC System shutdown. A low temperature alarm or a back-up heating system must be used if an equipment shutdown could result in property damage.

R.W. BECKETT CORPORATION

P.O. Box 1289, Elyria, Ohio 44036

R.W. BECKETT CANADA, LTD

430 Laird, Unit 3, Guelph, Ontario, N1G 3X7