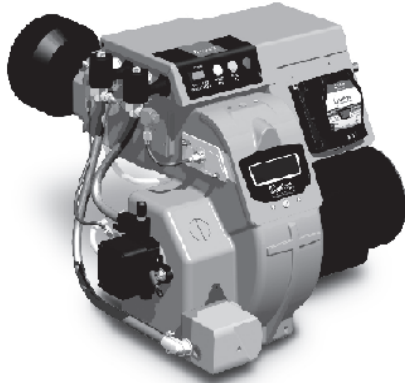
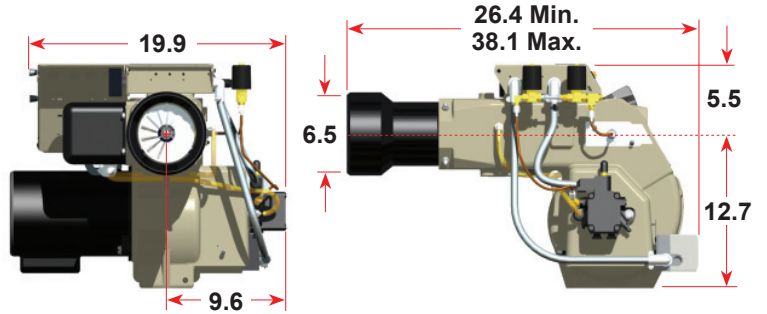


# BECKETT CF2300

COMMERCIAL OIL BURNER



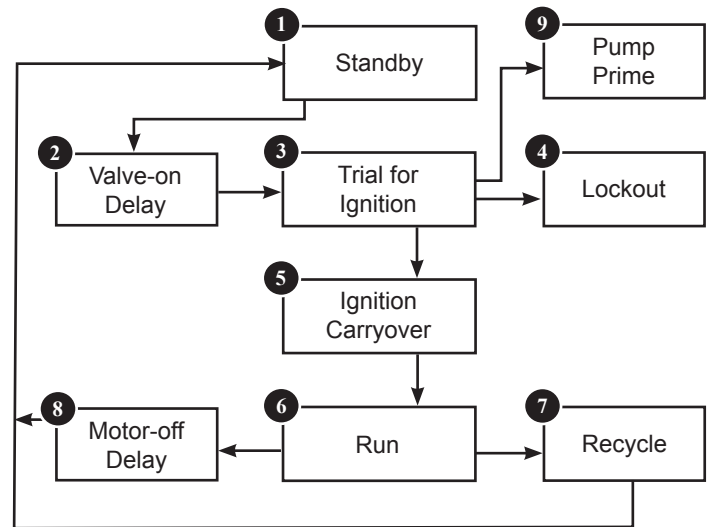
## Overall Dimensions



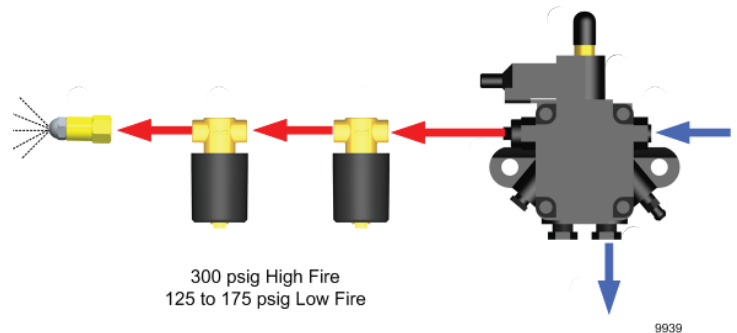
## Specifications

<b>Fuels</b>	U.S. #1 or #2 heating oil only (ASTM D396) Canada #1 stove oil or #2 furnace oil only
	<b>CAUTION</b> DO NOT USE GASOLINE, CRANKCASE OIL, OR ANY OIL CONTAINING GASOLINE.
<b>Firing Range</b>	CF1400 - 4.0 to 13.6 gph CF2300 - 7.0 to 19.9 gph
<b>Motor</b>	3/4 HP 3450 rpm 120/60 Hz Standard 12.5 amps @ 120 VAC  Optional Voltages: 240 VAC/1-PH, 208, 240, 480 VAC/3-PH, 50 or 60Hz
<b>Ignition Trans.</b>	Continuous Duty, 120V/12,000V
<b>Housing</b>	Cast aluminum
<b>Fuel Unit</b>	100 to 300 psig
<b>Oil Nozzle</b>	45° to 70° Solid

## Typical Burner Sequence of Operation - 7505



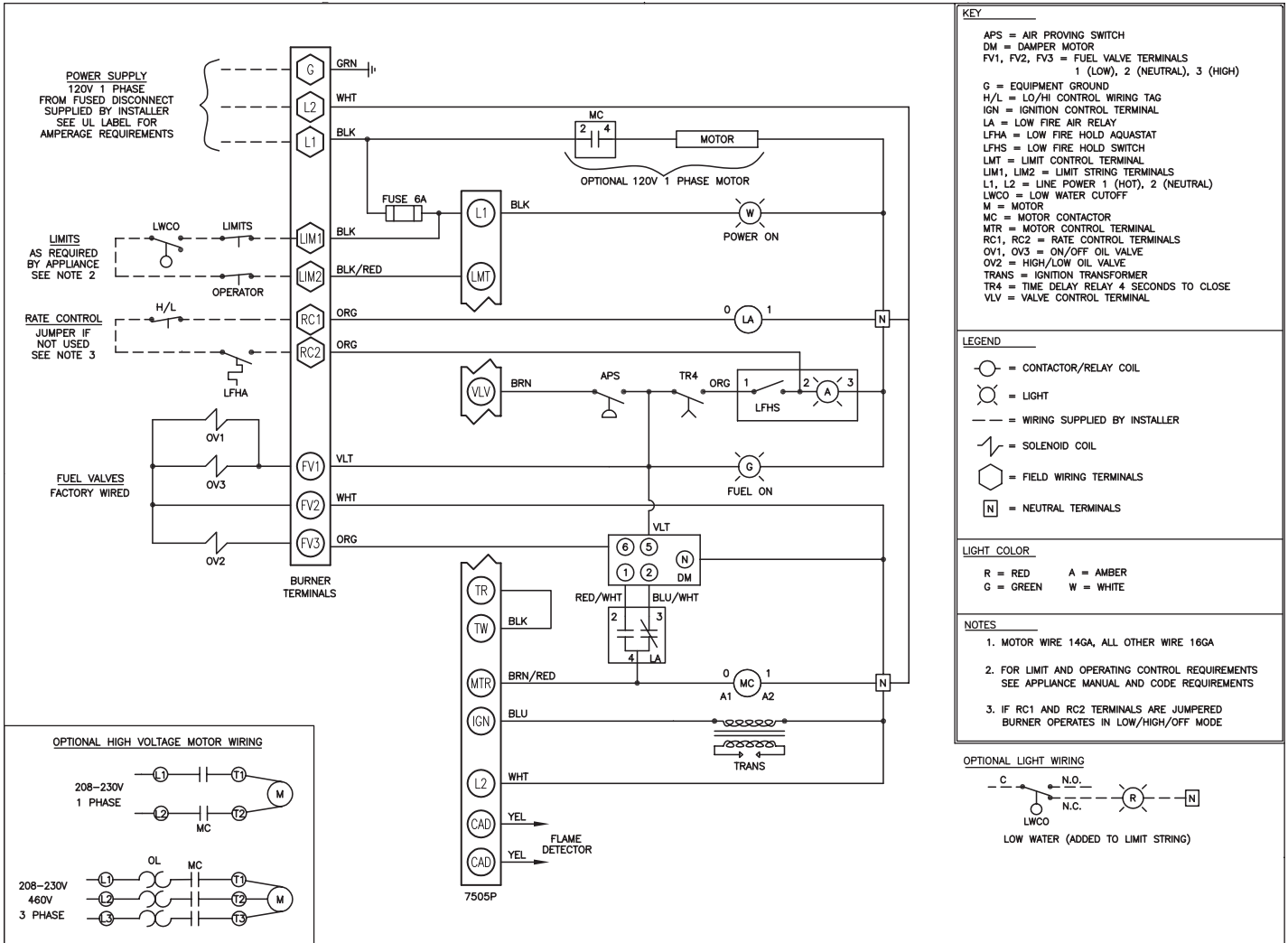
## Two-pipe Oil Flow



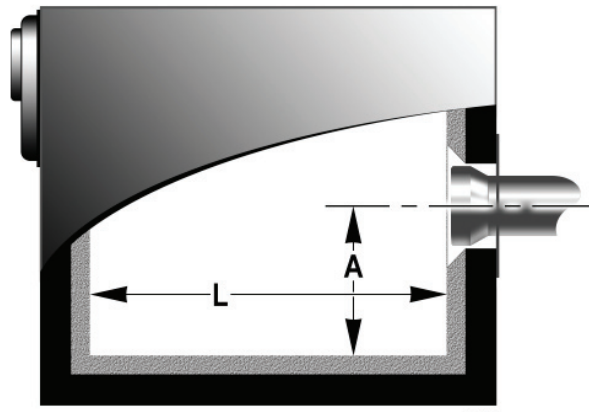
## Features

	S - Standard	O - Optional	N/A - Not Available
On/Off			N/A
Linkageless Low/High/Low or Low/High/Off	S		
Air Proving Switch	S		
Direct Spark Ignition of Main Flame	S		
Flame Safeguard with UV Sensor or Light Sensor		O	
Customized Electrical Cabinet		O	
UL/CUL - CSD1 - XL GAPS <sup>1</sup>	S		
FM		O	
IRI (old standard)		O	

# Typical Wiring (GeniSys 7505P control)



# Combustion Chamber Dimensions



Firing Rate (gph)	Minimum Dimensions			
	Refractory Lined		Wet-based Boilers	
	A	L	A	L
5 to 10	8.0"	35.0"	8.0"	40.0"
10 to 15	9.0"	40.0"	9.0"	50.0"
15 to 20	11.0"	55.0"	11.0"	60.0"